



Flow Sensor Amplifier SKM

Amplifier for calorimetric flow sensors






- DC 24V
- Analog output
- Relay output
- LED display

D-EN-SKM-20211103



Flow Sensor Amplifier SKM

Amplifier for calorimetric flow sensors

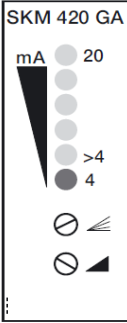
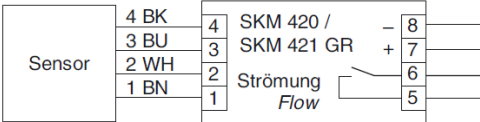
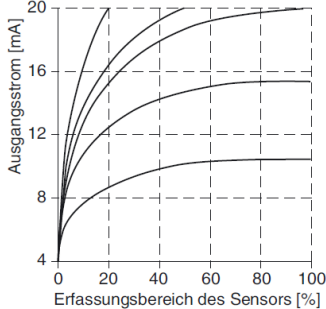
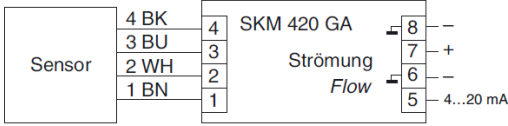
Technical Data			
Design	SKM 420 GR for water sensors	SKM 421 GR for air sensors	SKM 420 GA for water and air sensors
Dimensions			
ID-No.	P10530	P11067	P10820
Output	 Relay	 Relay	 4...20 mA
Supply voltage [V]	24 DC $\pm 20\%$		24 DC $\pm 10\%$
Output	Relay / NO		analog 4...20 mA
Switching voltage [V]	230 AC / 250 DC		-
Switching current [A]	1 AC / 1 DC		-
Switching power max.	125 VA / 60 W		-
Load R_L [Ω]	-		50...500
Ambient temperature [$^{\circ}\text{C}$]	-20...+60		-20...+60
Protection [EN 60529]			
Terminal	IP20		IP20
Housing	IP40		IP40

D-EN-SKM-20211103



Flow Sensor Amplifier SKM

Amplifier for calorimetric flow sensors

Technical Data			
Design	SKM 420 GR for water sensors	SKM 421 GR for air sensors	SKM 420 GA for water and air sensors
Protection [EN 60529] Terminal Housing	IP20 IP40		IP20 IP40
			
			

D-EN-SKM-20211103

Important instructions!

Technical changes and errors reserved.

Pictures can be similar.

The operating instructions belonging to this device must be observed! Download at www.schmidt-messtechnik.com.