



## Flow Limiter BA, BB, BC

Mechanical flow limiter



D-EN\_BA-BB-BC-20210628

- High reliability
- No power supply required
- Suitable for hot water
- Threaded connection



## Flow Limiter BA, BB, BC

### Mechanical flow limiter

#### Operation

The flow limiters BA, BB and BC work on a pure mechanical base and do not require any external power source. The cross sectional area, available to the flowing medium, will change with pressure changes in that way, that an almost constant flow stream can be maintained.

#### Features

- Universal orientation
- High reliability
- No power supply required
- Suitable for hot water
- Threaded connection

#### Application

- Water treatment
- Irrigation
- Sanitary installations

Operating data	
Control pressure	2 - 10 bar
Operating pressure max.	10 bar
Temperature max.	200 °C
Measuring accuracy	up to 2 l/min ± 15 % of nominal value
	at 3 l/min and higher ± 10 % of nominal value

Flow		
	Flow for H <sub>2</sub> O at 20 °C	
	Q <sub>min</sub> (l/min)	Q <sub>max</sub> (l/min)
BA [1/2"]	1	30
BA [3/4"]	1	30
BB [1/2"]	1	30
BB [3/4"]	1	30
BC [3/4"]	1	30
BC [1 1/2"]	3	90
BC [2"]	5	150
BC [2 1/2"]	7	210
BC [3"]	9	270

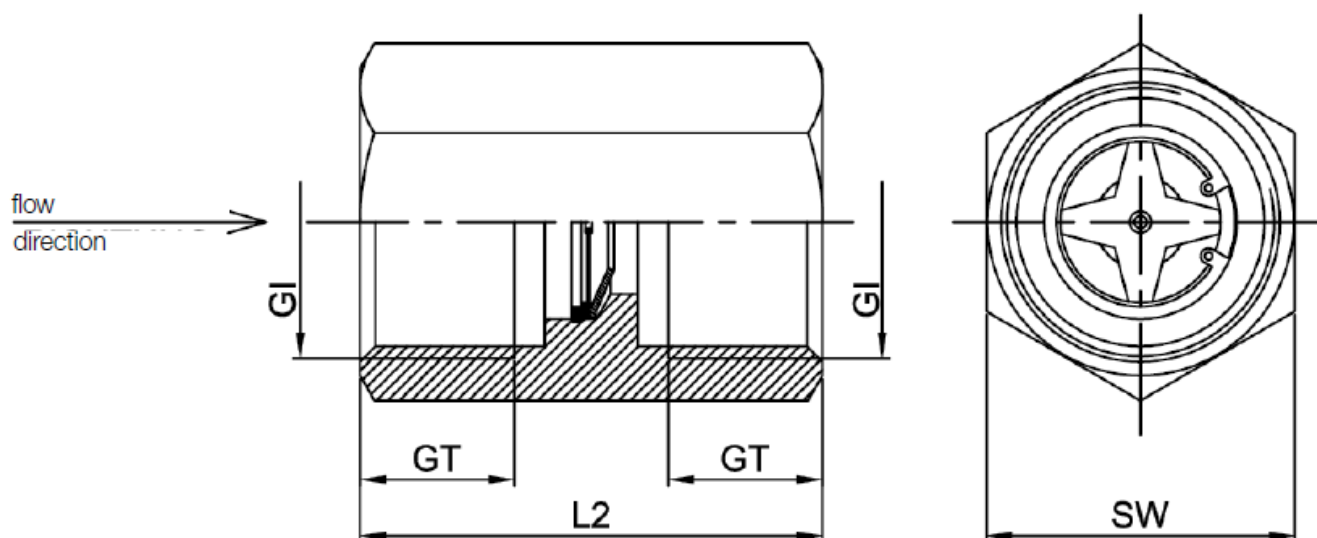
Materials		
	Brass version, wetted parts	Stainless steel version, wetted parts/min)
Device body:	Brass	1.4305 (1)
Regulating star:	1.4310	1.4310
Cone:	1.4301	1.4301
Rivet:	1.4301	1.4301
Retaining ring:	1.4122	1.4122

(1) BC 1.4571



## Flow Limiter BA, BB, BC Mechanical flow limiter

### Technical Drawing BA



### Summary of Types: BA

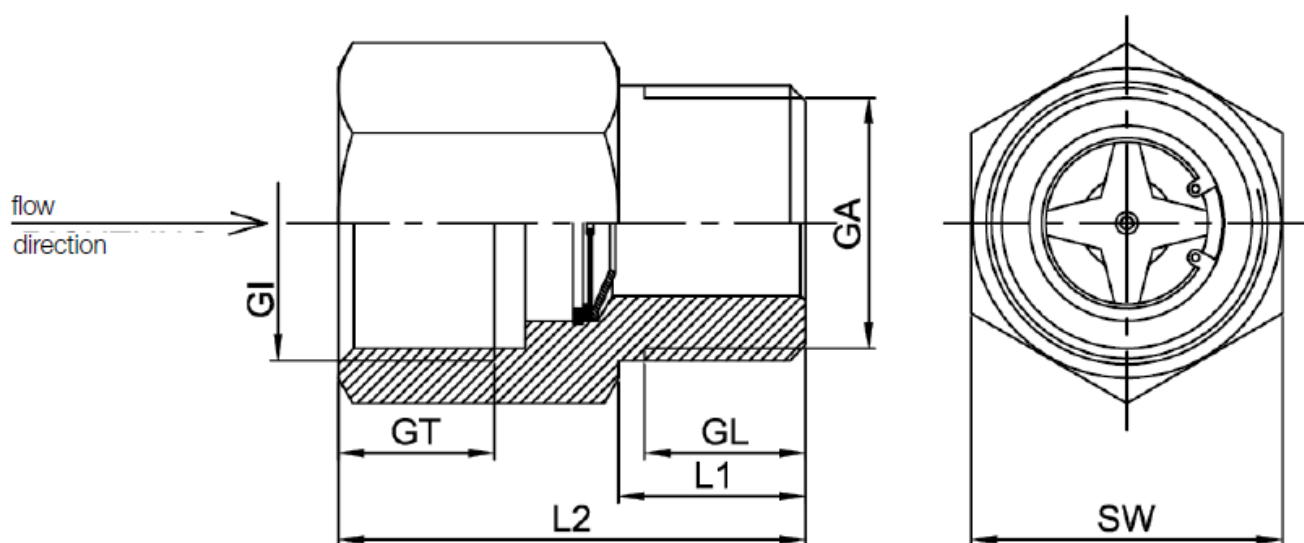
Type	Overall dimensions [mm]				
	GI	GT	SW	L2	Weight approx. [g]
BA [1/2"]	1/2"	14	27	43	72
BA [3/4"]	3/4"	15	32	45	125

Flow: 1 – 30 l/min in 1 l/min increments



## Flow Limiter BA, BB, BC Mechanical flow limiter

### Technical Drawing BB



### Summary of Types: BB

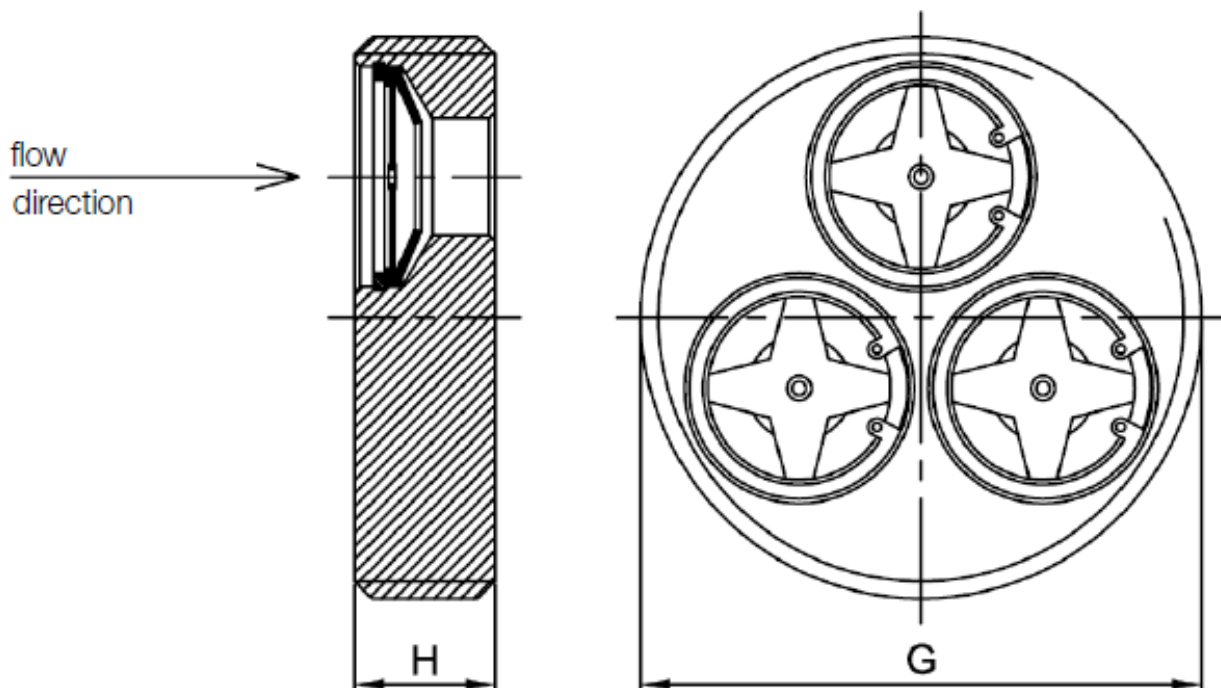
Type	Overall dimensions [mm]							Weight approx. [g]
	GI	GA	GT	GL	SW	L1	L2	
BB [1/2"]	1/2"	1/2"	14	14	27	16	43	104
BB [3/4"]	3/4"	3/4"	15	15,5	32	18	45	135

Flow: 1 – 30 l/min in 1 l/min increments



## Flow Limiter BA, BB, BC Mechanical flow limiter

Technical Drawing BC



Summary of Types: BB					
Type	Overall dimensions [mm]				
	G	H	$Q_{\min}^{(2)}$	$Q_{\max}^{(2)}$	Weight approx. [g]
BC [3/4"]	3/4"	12	1	30	25
BC [1 1/2"]	1 1/2"	12	3	90	104
BC [2"]	2"	15	6	150	190
BC [2 1/2"]	2 1/2"	15	7	210	290
BC [3"]	3"	15	9	270	375

<sup>(2)</sup> from  $Q_{\min}$  to  $Q_{\max}$  in 1 l/min increments

### Important instructions!

Technical changes and errors reserved. Pictures can be similar. The operating instructions belonging to this device must be observed! Download at [www.schmidt-messtechnik.com](http://www.schmidt-messtechnik.com).

D-EN\_BA-BB-BC-20210628