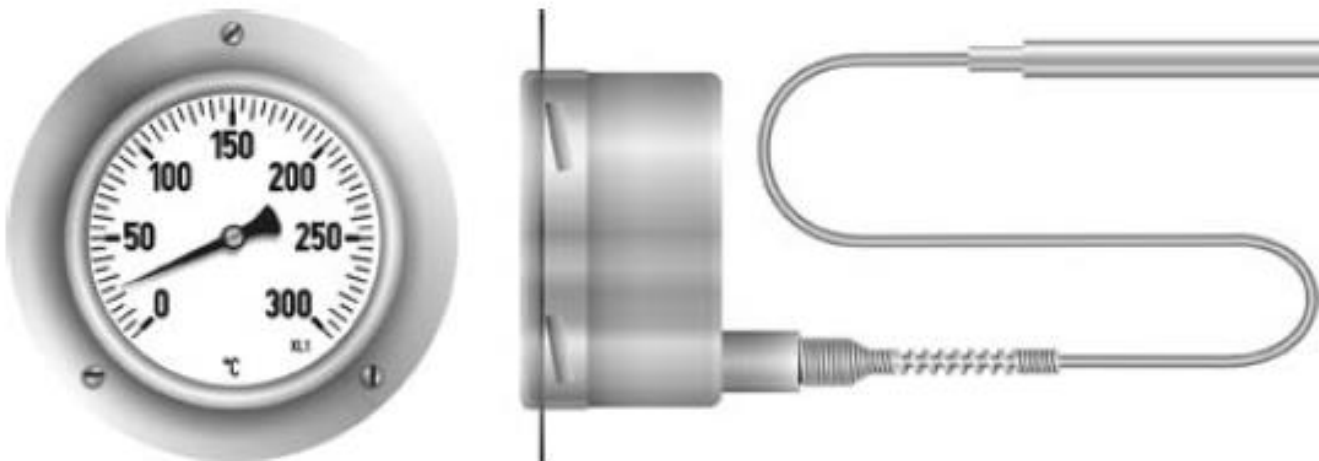




Gas pressure remote thermometer Type 51

Industrial thermometer for panel mounting.

Bayonet ring housing with rotatable pin.



D-EN-Type51-20200212

- Precision gas pressure thermometer, with front fastening edge, DIN 16 206
- Temperature range: -60 ... +700 °C
- Material: stainless steel, sheet steel



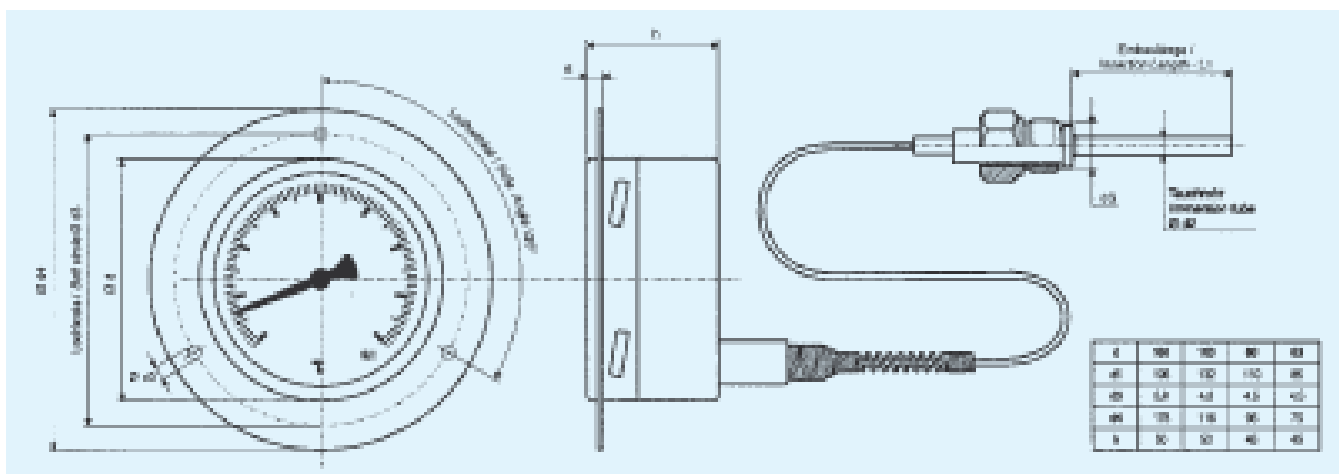
Gas pressure remote thermometer Type 51

Industrial thermometer for panel mounting.

Bayonet ring housing with rotatable pin.

Features

- Precision gas pressure thermometer, with front fastening edge, DIN 16 206
- Temperature range: -60 ... +700 °C
- Material: stainless steel, sheet steel
- Accuracy: Class 1 according to DIN 16 203
- Long-distance pipeline: stainless steel, ...PVC sheathed
- Additional devices: limit switches, oil damping
- Process connection: rotatable screw-in spigot for installation in protective tubes



Housing dimensions		
Ordering code:		C
ød	height (h)	
63	45	3
80	45	4
100	50	5
160	50	6

Housing material	
Ordering code	E
Stainless steel, 1.4301	1
Sheet steel	2

Material for dip tube and thread	
Ordering code	0
Brass	1
Stainless steel, 1.4571	3

D-EN-Type51-20200212



Gas pressure remote thermometer Type 51

Industrial thermometer for panel mounting.

Bayonet ring housing with rotatable pin.

Standard measuring ranges		
Ordering code	F	G
-40...+40 °C	4	9
-40...+60 °C	5	0
-30...+50 °C	5	2
-20...+40 °C	5	3
-20...+60 °C	5	4
0...+60 °C	5	8
0...+80 °C	5	9
0...+100 °C	6	0
0...+120 °C	6	1
0...+160 °C	6	2
0...+200 °C	6	3
0...+250 °C	6	4
0...+300 °C	6	5
0...+350 °C	6	6
0...+400 °C	6	7
0...+500 °C	6	8
0...+600 °C	6	9
Special range on request	9	9

From size NG100, housing compensation is possible. Full compensation with twisted stainless steel transmission line, optionally also possible with a protective hose.

Thread	
Ordering code:	N
G 1/2" ...SW27	1
G 3/4" ...SW32	2
G 1" ...SW41	3
M18 x 1,5 ...SW24	6
M20 x 1,5 ...SW27	7
M24 x 1,5 ...SW32	8
M27 x 2 ...SW32	9

Accessories	
Ordering code:	H
Without accessories	0
Low-action execution	1
With magnet circuit	2
With inductive contact	3
With electronic contacts	4
Mark pointer	5
Drag pointer	6
Silicon oil filling	7
Glycerin filling	8
Contact version with transformer oil filling on request	

D-EN-Type51-20200212



Gas pressure remote thermometer Type 51

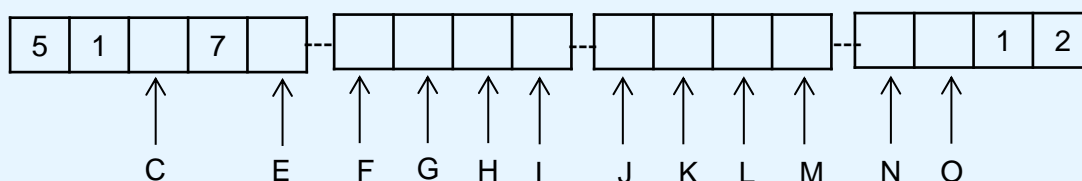
Industrial thermometer for panel mounting.

Bayonet ring housing with rotatable pin.

Long-distance line		
Ordering code:	L	M
Stainless steel	0	3
Stainless steel with PVC coating	0	4
Stainless steel with flexible protective sleeve		0

Contact functions		
Ordering code	J	K
Single contact		
Normally open contact	X	1
Normally closed contact	X	2
Changeover contact	X	3
Bifurcated contact		
2 x normally open contact	1	1
2 x normally closed contact	2	2
1. NOC / 2. NCC	1	2
1. NCC / 2. NOC	2	1

Electrical connection	
Ordering code	I
Without	0
1 m connecting cable	1
socket	2



Ordering code:

To order, please fill in all empty spaces.

The relevant key figures for all vacancies can be found in the tables above.

D-EN-Type51-20200212



Gas pressure remote thermometer Type 51

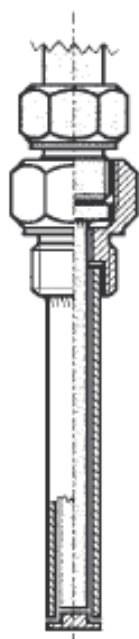
Industrial thermometer for panel mounting.

Bayonet ring housing with rotatable pin.

Installation suggestions for thermometers with rotatable screw-in spigot

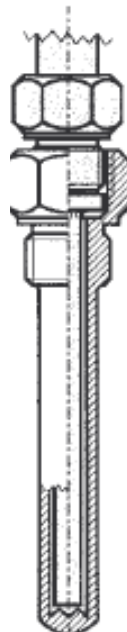
Protective tube

for screwing in several parts



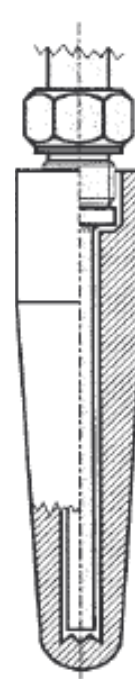
Protective tube

for screwing in one-piece



Protective tube

for welding in one-piece



Important instructions!

Technical changes and errors reserved. Pictures can be similar.

The operating instructions belonging to this device must be observed! Download at www.schmidt-messtechnik.com.