



## Bi-Metal Thermometer Type 21

for heating construction and air conditioning technology



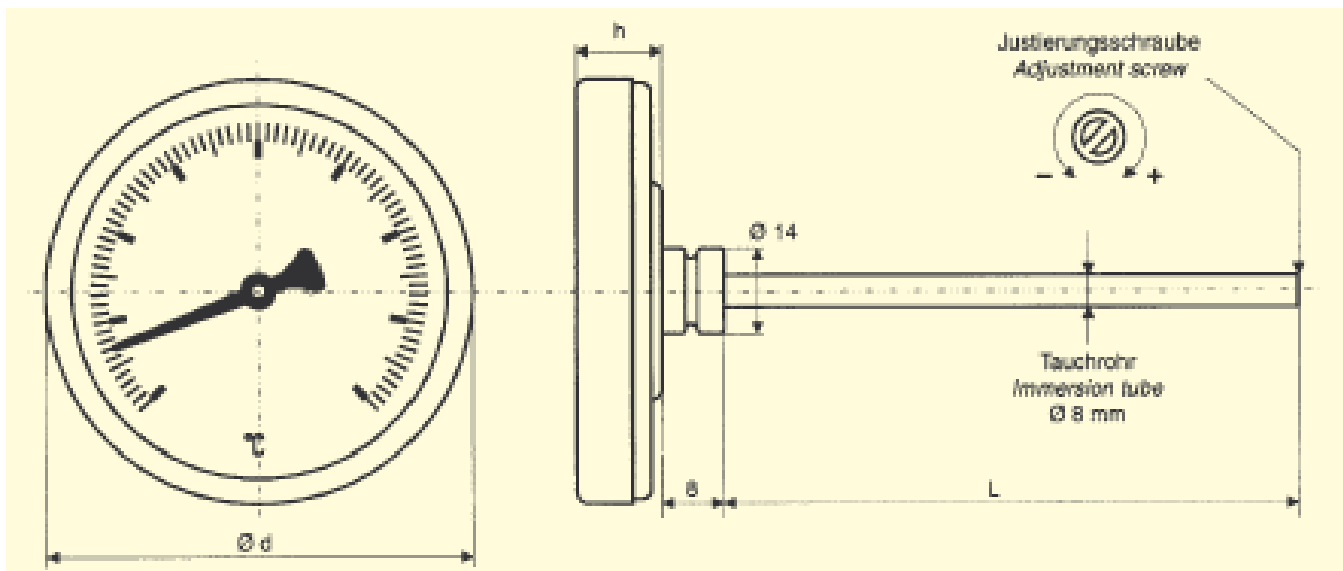
- Low-cost thermometer, axial according to DIN 16 204
- Accuracy: Class 2 according to DIN 16 203
- Material: galvanized sheet steel
- Process connection: Smooth shaft for installation in protective tubes

D-EN-Type21-20200206

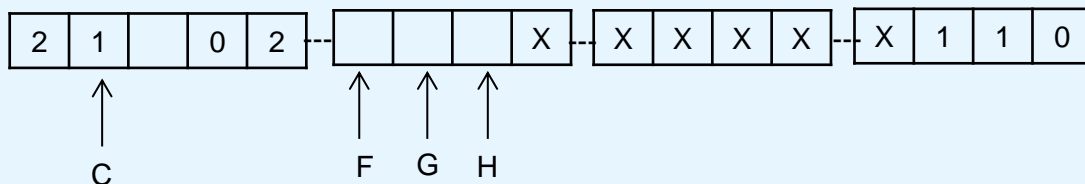


## Bi-Metal Thermometer Type 21

for heating construction and air conditioning technology



Housing diameter ( $\varnothing d$ )		Measuring ranges		Auxiliary equipment	
Ordering code	C	Ordering code	F G	Ordering code	H
63	3	-20...+60 °C	5 4	Without auxiliary equipment	0
80	4	0...+80 °C	5 9	Mark pointer	5
100	5	0...+100 °C	6 0	Drag pointer	6
160	6	0...+120 °C	6 1		
		0...+160 °C	6 2		
		0...+200 °C	6 3		



### Ordering code:

To order, please fill in all empty spaces.

The relevant key figures for all vacancies can be found in the tables above.

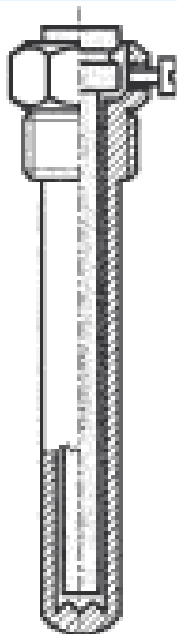
D-EN-Type21-20200206



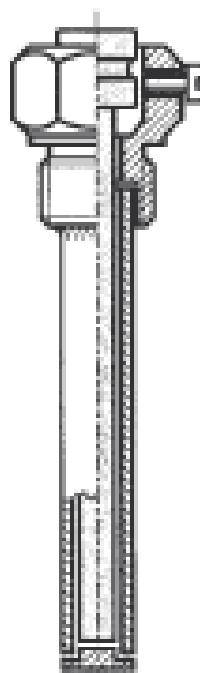
## Bi-Metal Thermometer Type 21

for heating construction and air conditioning technology

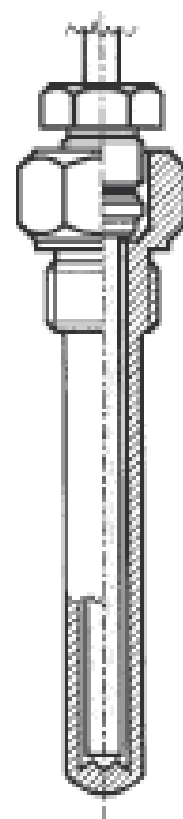
### Installation suggestions for thermometers with a smooth shaft



**Standard protective tube**  
one-piece  
with side locking screw



**Protective tube**  
multipart  
with side locking screw



**Protective tube**  
One-piece and multipart  
with integrated compression fitting

### Important instructions!

Technical changes and errors reserved. Pictures can be similar.  
The operating instructions belonging to this device must be observed! Download at [www.schmidt-messtechnik.com](http://www.schmidt-messtechnik.com).