



Differential Pressure Switch 908

With adjustable setting, for liquids



- Typical application: filter monitoring
- Pressure ranges: 40 – 200 mbar
150 – 1000 mbar
- Inexpensive version

D-EN-908-20220125



Differential Pressure Switch 908

With adjustable setting, for liquids

Application

Adjustable differential pressure switch monitoring overpressure, vacuum or differential pressure of liquid and gaseous – also aggressive – media.

The differential pressure switch uses an adjusting screw to enable the adjustment of the switching pressure.

Class of control and regulation function: A

Temperature range

Ambient temperature from -10 to +80°C

Temperature of media from -10 to +80°C

Storage temperature from -40 to +80°C

Accuracy of the switching pressure

Repeatability $\pm 10\%$

Materials

Diaphragm: EPDM / NBR / Viton / Silicone

Media contacting parts:

Chrome / Stainless steel / Brass / Diaphragm material

Pressure connection

Inner thread G 1/8 of Brass (CuZn40)

P1+ / P2-

Pressure ranges

908.32 40 ... 200 mbar

908.34 150 ... 1000 mbar

Switching hysteresis (typical)

908.32 30 mbar

908.34 100 mbar

Maximum operating pressure

10 bar

Burst pressure

20 bar

Life

Mechanically more than 1 million cycles

Weight

850 g with mounting bracket and protection cap

Electrical rating

Standard version:

max. 6 (1,5) A / 250 VAC

max. 10 (2,0) A / 250 VAC

Low power version:

max. 100 mA / 24 VAC

max. 30 mA / 24 VDC

Electrical connection and Arrangement of contacts

Tab terminal 6.3 mm x 0.8 mm

Connector DIN 46244



Protection

IP00 without protection cap

IP54 / IP65 depending on the used protection cap



Differential Pressure Switch 908

With adjustable setting, for liquids

Protection class

Protection class II is only met by using a protection cap from our accessories program. The pressure switch without protection cap is provided for installation in equipment. The construction of the equipment and the type of installation determine the protection class.

Warning

Read instructions before use. This regulating and control unit must be installed in compliance with the applicable regulations.

Conformity

EU Low Voltage Directive
EU RoHS Directive

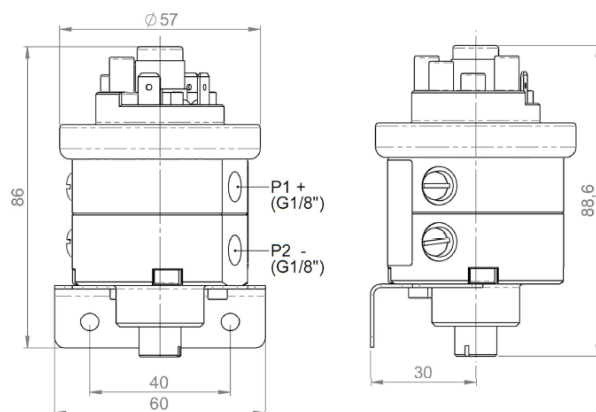
Packaging unit

1 or 10 pieces

Accessories

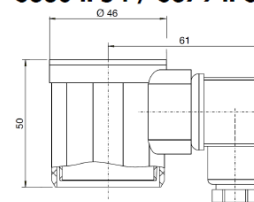
See ordering matrix

908 without protection cap

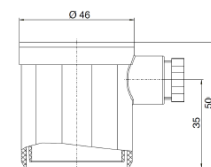


Protection caps

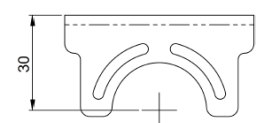
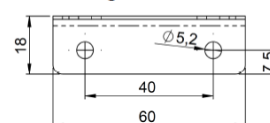
6374 IP54 / 6375 IP65
6380 IP54 / 6379 IP65



6371 IP54 / 6372 IP65



Mounting bracket 6603



D-EN-908-20220125



Differential Pressure Switch 908

With adjustable setting, for liquids

Order matrix		908.3	X	X	X	X	X	X	X	X
Pressure ranges	40 ... 200 mbar	2								
	150 ... 1000 mbar	4								
Accuracy	Standard		1							
Overpressure range	10 bar			1						
Diaphragm material	NBR				1					
	EPDM				2					
	Silicone				3					
	FKM / FPM				4					
Pressure connection	G 1/8" Inner thread, Brass					M				
Switch contacts	Low voltage	Gold-plated						1		
	6A / 250VAC	AgNi						4		
	10A / 250VAC	AgNi						5		
Protection cap	Without protection cap								0	
	Protection cap IP54 with cable conduit M16								1	
	Protection cap IP65 with cable conduit M16								2	
	Protection cap IP54 with connector, Shape A, to EN 175301-803, with cable								3	
	Protection cap IP65 with connector, Shape A, to EN 175301-803, with cable								4	
	Protection cap IP54 with connector, Shape A, to EN 175301-803, without cable								5	
Protection cap IP65 with connector, Shape A, to EN 175301-803, without cable								6		
Mounting bracket	Without mounting bracket									0
	L-shaped	With mounting bracket								1

Accessories	Article-No
Protection cap IP54 with cable conduit M16	6371
Protection cap IP65 with cable conduit M16	6372
Protection cap IP54 with connector, Shape A, to EN 175301-803, with cable	6380
Protection cap IP65 with connector, Shape A, to EN 175301-803, with cable	6379
Protection cap IP54 with connector, Shape A, to EN 175301-803, without cable	6374
Protection cap IP65 with connector, Shape A, to EN 175301-803, without cable	6375
Mounting bracket L-shaped	6603

D-EN-908-20220125

Important instructions!

Technical changes and errors reserved.

Pictures can be similar.

The operating instructions belonging to this device must be observed! Download at www.schmidt-messtechnik.com.