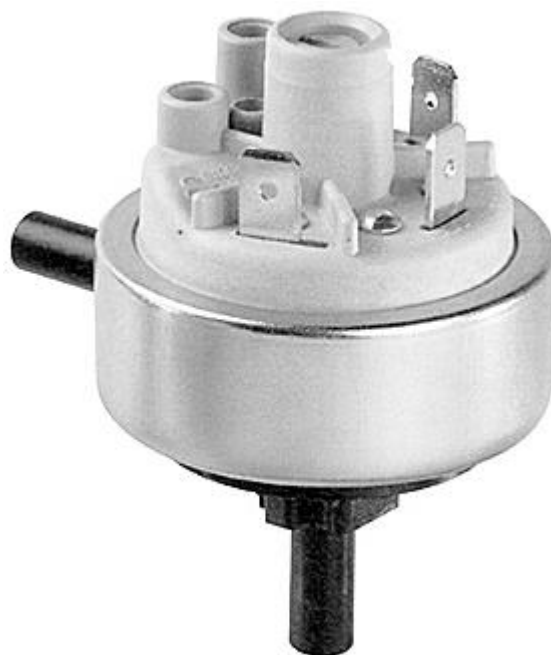




Pressure Switches 901

with factory-set pressure setting



DBE-901-fest-eingestellt-20180124

- Very reliable
- Any installation position
- For monitoring of liquid, gaseous and aggressive media
- Switching contact and hysteresis permanently set



Pressure Switches 901 with factory-set pressure setting

Applications

Factory-set pressure switch monitoring overpressure, vacuum or differential pressure of liquid and gaseous – also aggressive – media. Pressure setting and switching differential are factory-set by the manufacturer

Temperature range

Ambient temperature from -20°C to 85°C .
Temperature of media up to 85°C or 130°C depending on material of pressure connection and diaphragm.

Diaphragm material

Depending on media NBR, Silicone, FKM (Viton®), EPDM.
For 901.30 Silicone, others on request.

CE Conformity

Each depending on technical specification:
Low Voltage Directive 2006/95/EC; RoHS Directive 2011/65/EC; ATEX-Directive 94/9/EC; Product types tested by TÜV.

Life

Minimum 10^6 cycles.

Electrical rating

Values indicated for resistive load

AgNi contacts: 6(1,5) A/250 VAC
2 A/24 VDC

Gold-plated contacts: 100 mA/24 VAC
30 mA/24 VDC

AgNi contacts up to 10 A/250 VAC can be supplied on request.

Electrical connection

AMP connection 6.3 mm x 0.8 mm DIN 46244.

Arrangement of contacts

for 901.1x, 901.30,
901.41, 901.51

only for 901.2x



Damping

Restrictors alternatively with 0.3/0.5/0.8 mm diameter.

Accessories

Various mounting brackets and protection caps with IP 44, IP 54 and IP 65.

Mounting position

Mounting in any position, to be specified for settings below 100 mbar..

Important instructions!

Technical changes and errors reserved.

The operating instructions belonging to this device must be observed! Download at www.schmidt-messtechnik.de



Pressure Switches 901

with factory-set pressure setting

Pressure connection							
Type	Tube connection			Threaded connection			
	5,0mm	6,5mm	10,0mm	M10x1	G1/8	G1/4	G1/2
901.1x	PA	PA, PPS	PA, PPS	PA, PVDF CuZn40, V ₂ A	PA, PVDF CuZn40, V ₂ A	PVDF CuZn40, V ₂ A	CuZn40
901.2x	PA	PA, PPS	PA, PPS	PA, PVDF CuZn40, V ₂ A	PA, PVDF CuZn40, V ₂ A	CuZn40, V ₂ A	CuZn40
901.30		PA					
901.41		PA, PPS	PA, PPS	PA, PVDF CuZn40, V ₂ A	PA, PVDF CuZn40, V ₂ A	CuZn40, V ₂ A	CuZn40
901.51				CuZn40	CuZn40, V ₂ A	CuZn40, V ₂ A	

PA = polyamide, PVDF = polyvinylidene fluoride, PPS = polyphenylsulfide, CuZn40 = brass, V₂A = stainless steel

For temperature above 85° C metal or PPS pressure connection is required. Upon request pressure connections of other sizes, other plastics or brass nickel-plated are available.

Viton® is a registered trademark of DuPont Dow Elastomers.

Overpressure range							
Type	Factory set trip pressure		Standard switching differential		Tolerance band in % of trip pressure	Maximum positive working pressure	Maximum negative working pressure
	between	and	Lower end of range	Upper end of range		Standard/extended	Standard/extended
901.1x	5 mbar	200 mbar	2,5 mbar	50 mbar	±10%	0,5/4 bar	-/-1 bar
	200 mbar	1.000 mbar	50 mbar	150 mbar	±10%	1/4 bar	-/-1 bar
901.41	500 mbar	3.000 mbar	200 mbar	600 mbar	±10%	10 bar	-1 bar
901.51	1,0 bar	12 bar	0,2 bar	1,5 bar	±10%	25 bar	-1 bar

DBE-901-fest-eingestellt-20180124



Pressure Switches 901

with factory-set pressure setting

Vacuum range							
Type	Factory set trip pressure		Standard switching differential		Tolerance band in % of trip pressure	Maximum positive working pressure	Maximum negative working pressure
	between	and	Lower end of range	Upper end of range		Standard/extended	Standard/extended
901.2x	-5 mbar	-200 mbar	2,5 mbar	50 mbar	±10%	0,5/4 bar	-1 bar
	-200 mbar	-900 mbar	50 mbar	150 mbar	±10%	1/4 bar	-1 bar

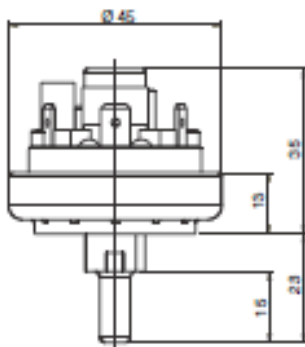
Differential pressure range							
Type	Factory set trip pressure		Standard switching differential		Tolerance band in % of trip pressure	Maximum positive working pressure	Maximum negative working pressure
	between	and	Lower end of range	Upper end of range		Standard/extended	Standard/extended
901.30	5 mbar	50 mbar	2,5 mbar	25 mbar	±10%	100 mbar	-100 mbar



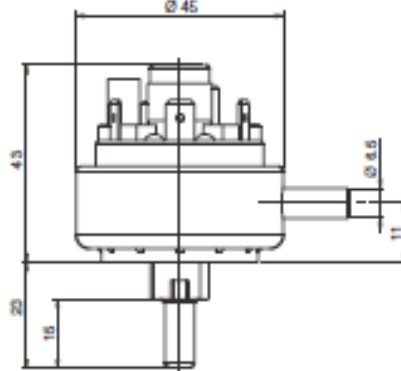
Pressure Switches 901 with factory-set pressure setting

Drawings

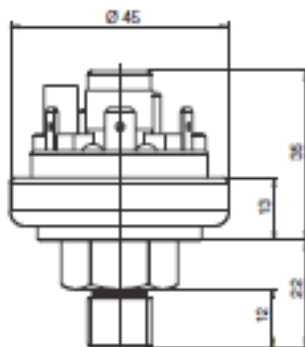
901.10/20



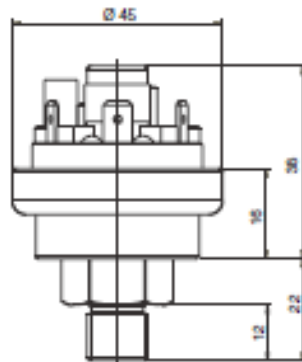
901.30



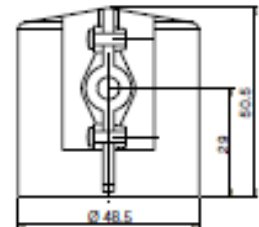
901.11/21/41



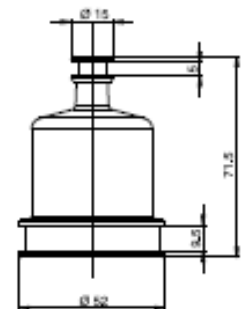
901.51



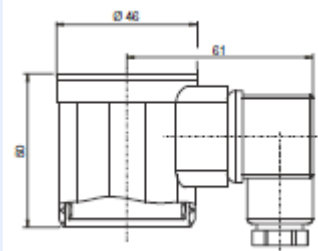
Protection caps
6329 IP44



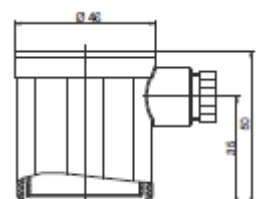
6345 IP54



6374 IP54 / 6375 IP65



6371 IP54 / 6372 IP65



Mounting brackets

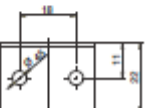
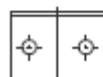
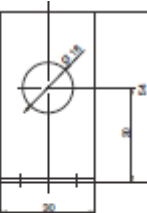
6403



6404



6405



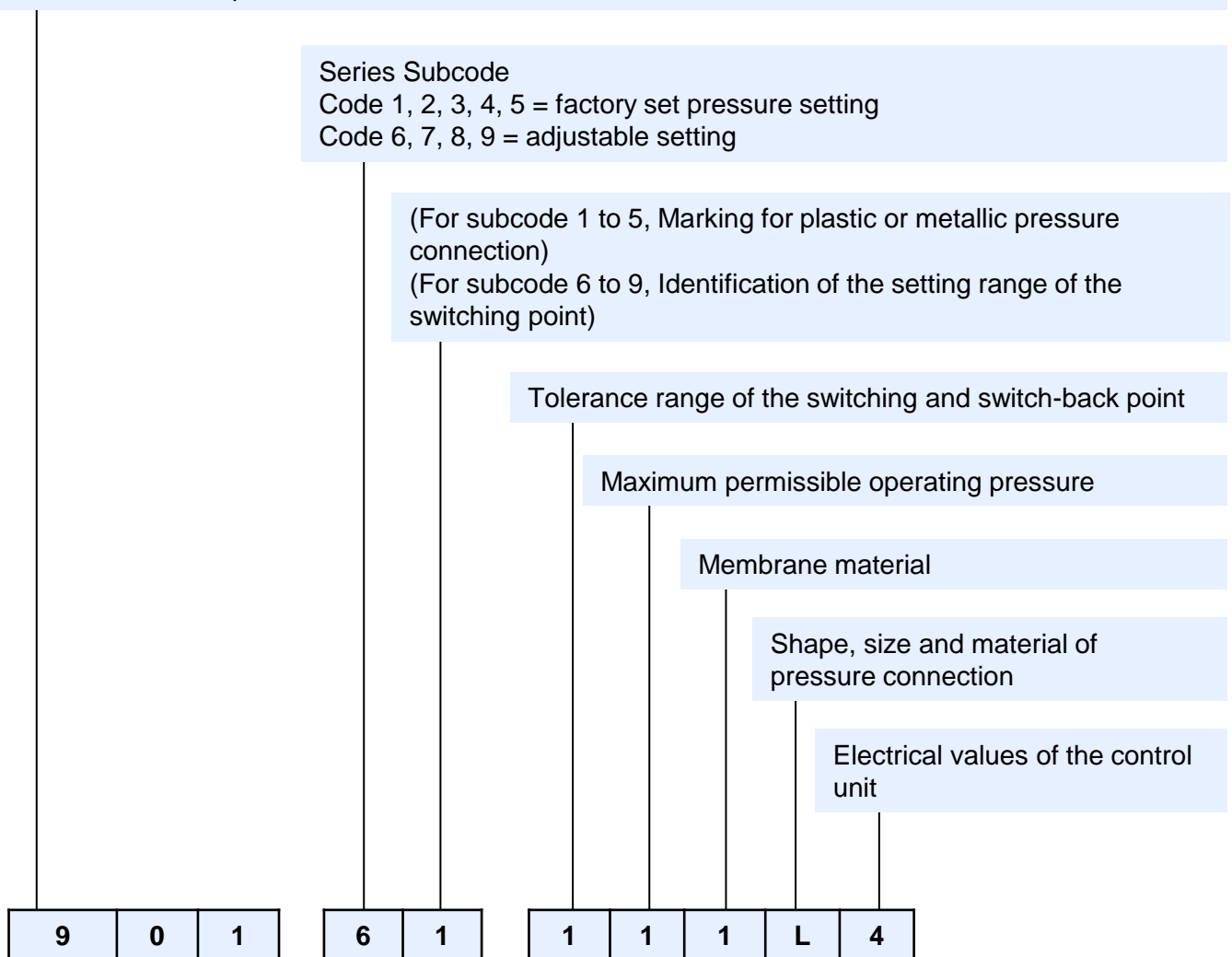


Pressure Switches 901

with factory-set pressure setting

Ordering matrix

Identification of the pressure monitor series



DBE-901-fest-eingestellt-20180124



Pressure Switches 901

with factory-set pressure setting

Ordering matrix

9	0	1	6	1	1	1	1	L	4
---	---	---	---	---	---	---	---	---	---



Series subcode

- 1 Factory set switching points in the overpressure range from 5 mbar to 1,000 mbar, max. operating pressure up to 0.5 or 1 bar
- 3 Factory set switching points in the overpressure range from 5 mbar to 50 mbar, max. operating pressure up to 100 mbar
- 4 Factory set switching points in the overpressure range from 500 mbar to 3 bar, max. operating pressure up to 10 bar
- 5 Factory set switching points in the higher pressure range from 1 bar to 12 bar, max. operating pressure up to 25 bar
- 6 Adjustable overpressure between 5 mbar and 3 bar, max. operating pressure 0,5 bar, 1,0 bar or 7 bar
- 7 Adjustable negative pressure range between -5 mbar and -700 bar, max. operating pressure 0,5 bar, or 1 bar
- 8 Adjustable differential pressure range between 5 mbar and 50 mbar, max. operating pressure 100 mbar
- 9 Adjustable Overpressure range between 1,0 bar and 12 bar, max. operating pressure 25 bar

9	0	1	6	1	1	1	1	L	4
---	---	---	---	---	---	---	---	---	---



Plastic or metallic pressure connection (only for factory set switching points with series subcode 1 ... 5)

- 0 Plastic (can be PAS, PPS or PVDF)
- 1 Metallic (can be brass, nickel-plated brass or stainless steel)



Pressure Switches 901

with factory-set pressure setting

Ordering matrix

9	0	1	6	1	1	1	1	L	4
---	---	---	---	---	---	---	---	---	---



Adjustable pressure ranges (only for the adjustable 901 pressure switches with subcode 6 ... 9)						
Code	Type	Adjustable range		Code	Type	Adjustable range
1	(61)	5...20 mbar		1	(71)	-5...-20 mbar
2	(62)	10...50 mbar		2	(72)	-10...-50 mbar
3	(63)	25...100 mbar		3	(73)	-25...-100 mbar
4	(64)	50...250 mbar		4	(74)	-50...-125 mbar
5	(65)	100...500 mbar		5	(75)	-75...-200 mbar
6	(66)	250...1000 mbar		6	(76)	-100...-300 mbar
7	(67)	500...1500 mbar		7	(77)	-200...-500 mbar
8	(68)	1000...3000 mbar		8	(78)	-300...-700 mbar

1	(91)	1,0...6,0 bar		1	(81)	5...20 mbar
2	(92)	4,0...9,0 bar		2	(82)	10...50 mbar
3	(93)	7,0...12,0 bar				

DBE-901-fest-eingestellt-20180124



Pressure Switches 901

with factory-set pressure setting

Ordering matrix

9	0	1	6	1	1	1	1	L	4
---	---	---	---	---	---	---	---	---	---



Tolerance range of the switching point and switch-back point

- 1 Normal tolerance range $\pm 10\%$
- 2 Narrow tolerance range $\pm 5\%$ (only on technical feasibility on request)

9	0	1	6	1	1	1	1	L	4
---	---	---	---	---	---	---	---	---	---



Maximum permissible operating pressure

1. Standard
2. Extended to 4 bar (only instead of a maximum operating pressure of 0.5 or 1.0 bar)

9	0	1	6	1	1	1	1	L	4
---	---	---	---	---	---	---	---	---	---



Membrane material

- 1 NBR
- 2 EPDM
- 3 Silicone (VMQ)
- 4 FKM Viton®
- 5 NBR for gas pressure switches with DVGW-approved NBR material
- 6 Silicone (VMQ) with Parylene®-C plating
- 7 FKM Special for saturated steam applications up to max. 140°C
- 8 EPDM with FDA 21-CFR approval
- 9 Chemraz®, for -20°C to +230°C



Pressure Switches 901

with factory-set pressure setting

Ordering matrix

9	0	1	6	1	1	1	1	L	4
---	---	---	---	---	---	---	---	---	---



Shape, size and material of pressure connection				
Code	Material	Shape	Size	Mounting bracketl
A	Polyamide PA6	Hose fitting	6,0 mm	6405
B	Polyamide PA6	Hose fitting	6,5 mm	6405
C	Polyamide PA6	Hose fitting	10 mm	6405
D	Polyamide PA6	Thread	1 / 8	6404
E	Polyamide PA6	Thread	M10x1	6404
F	PPS	Hose fitting	6,5 mm	6405
G	PPS	Hose fitting	10 mm	6405
H	PVDF	Thread	M10x1	6404
J	PVDF	Thread	1 / 8	6404
K	PVDF	Thread	1 / 4	6403
L	CuZn40 (brass)	Thread	1 / 4	6403
M	CuZn40 (brass)	Thread	1/8	6404
N	CuZn40 (brass)	Thread	M10x1	6404
O	CuZn40 (brass)	Thread	3 / 8	n.a.
P	V2A (1.4401)	Thread	M10x1	6404
Q	V2A (1.4401)	Thread	1 / 8	6404
R	V2A (1.4401)	Thread	1 / 4	6403
S	CuZn40 (brass)	Thread	1 / 2	n.a.
T	PP	Thread	M10x1	6404
U	PP	Hose fitting	6,5 mm	6405
V	CuZn40 (brass) nickel-plated	Thread	1 / 4	6403
W	Polyamide PA6	Hose fitting	5,0 mm	6405

DBE-901-fest-eingestellt-20180124



Pressure Switches 901 with factory-set pressure setting

Ordering matrix

9	0	1	6	1	1	1	1	L	4
---	---	---	---	---	---	---	---	---	---

↓

Electrical values of the switching value:			
1	0,1 A	12 VDC	Gold plated switch contacts
2	6 A	250 VAC	AgCdO contacts; (not RoHS compliant)
3	10 A	250 VAC	AgCdO contacts; (not RoHS compliant)
4	6 A	250 VAC	Standard AgNi contacts
5	10 A	250 VAC	Stronger AgNi contacts
6	60 mA	30 VAC	Gold plated contacts with ATEX version (or 45 mA / 30 VDC)
7	60 mA	30 VAC	AgNi contacts with ATEX version (or 45 mA / 30 VDC)

Example 1:	
Pressure switch series	901
Factory set pressure setting	1
With metallic pressure connection	1
Tolerance range $\pm 10\%$	1
Max. permissible operating pressure 0,5 bar	1
Membrane material NBR	1
Pressure connection PA 6.5 mm hose connection	B
Electrical load up to 6A / 250 VAC	4

Example 2:	
Pressure switch series	901
With adjustable setting	6
Setting range 5...20 mbar	1
Tolerance range $\pm 10\%$	1
Max. permissible operating pressure 0,5 bar	1
Membrane material NBR	1
Pressure connection brass CuZn40- G1/4	L
Electrical load up to 6A / 250 VAC	4

For factory-set pressure switches, it is necessary to name the switch and reset points, e.g. switch on under increasing pressure at 20 mbar, switch off under decreasing pressure at 10 mbar.

DBE-901-fest-eingestellt-20180124