



## Float Switch RLT3000-TN240 with Integrated PT100

Level transmitter with analog output 4-20 mA and integrated PT100 with resistance output, made of stainless steel 1.4571



- Combination Level Transmitter / PT100 / PT1000
- Temperature range: -30 °C to max. + 100 °C
- Electrical output 4-20 mA (level) and resistance output (temperature)
- Process connections: G1½ ", G2", flange DN50 PN16
- Protection class: IP 66

D-EN-RLT3000-TN240-20190903



## Float Switch RLT3000-TN240 with Integrated PT100

Level transmitter with analog output 4-20 mA and integrated PT100 with resistance output, made of stainless steel 1.4571

### Description

The model RLS3000-TN230 float switch with temperature output combines the recording of the level and temperature of liquids in a single measuring point. The stainless steel used is suitable for a multitude of media, such as, for example, oil, water, diesel and refrigerants.

### Measuring principle

A permanent magnet built into the float triggers, with its magnetic field, the potential-free reed contacts built into the guide tube. The triggering of the reed contacts by the permanent magnet is contact-free and thus free from wear.

Depending on customer wishes, the switching functions of normally open, normally closed or change-over can be realized for the defined liquid level.

The additional temperature output enables the medium temperature to be monitored by means of a preconfigured bimetal temperature switch or a Pt100/Pt1000 resistance signal.

### Features

- Output 4-20 mA level
- Temperature measuring element PT100 or PT1000
- Accuracy: Class B
- Potential-free switching reed contacts
- Easy installation
- Maintenance-free
- Vertical installation
- Electrical connection: housing
- Temperature range: -30 °C to +100 °C
- Protection class: IP 66

### Applications

Combined level and temperature measurement of liquids in machine building  
Control and monitoring tasks for hydraulic power packs, compressors and in cooling systems

- plant construction
- mechanical engineering
- process and process engineering
- shipbuilding
- power plants
- turbines
- aggregate construction, etc.

### Important instructions!

Technical changes and errors reserved.

Pictures can be similar.

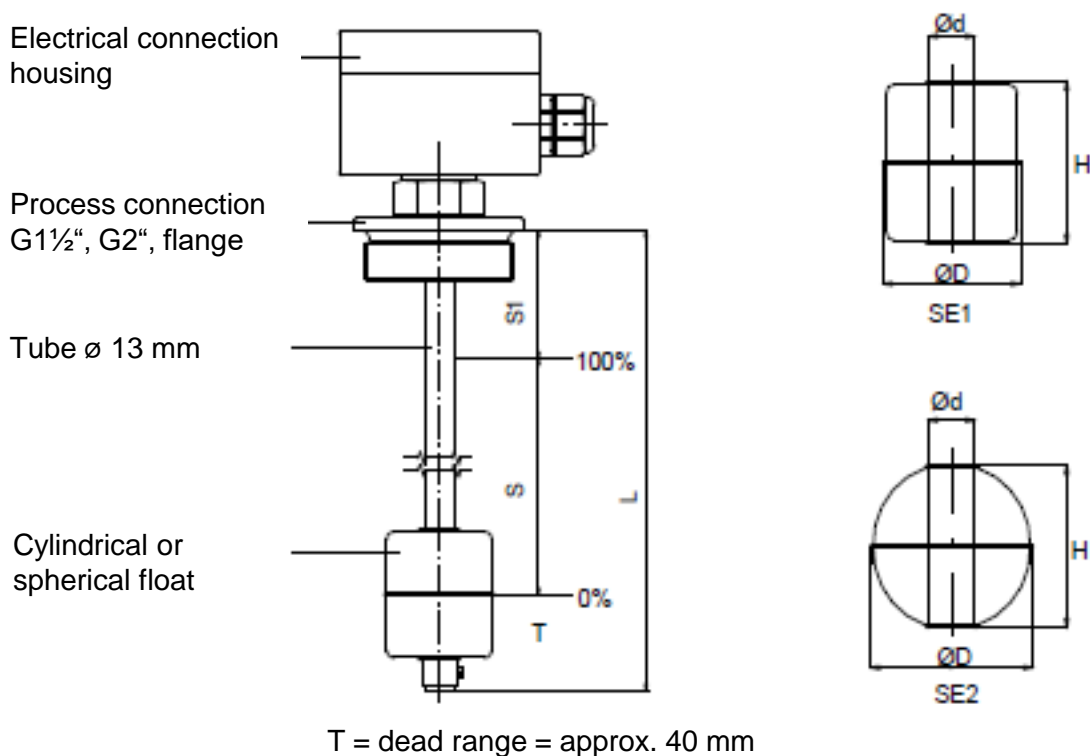
The operating instructions belonging to this device must be observed! Download at [www.schmidt-messtechnik.com](http://www.schmidt-messtechnik.com).



## Float Switch RLT3000-TN240 with Integrated PT100

Level transmitter with analog output 4-20 mA and integrated PT100 with resistance output, made of stainless steel 1.4571

### Dimensions



Float type	Dimensions			Max. operational pressure (MPa)	Max. operational temperature (°C)	Medium density kg/m <sup>3</sup>	Material
	Ø D (mm)	Ø d (mm)	H (mm)				
SE1 Cylindrical float	44	15	52	1,6	100	≥750	1.4571
SE2 Spherical float	52	15	52	4,0	100	≥750	1.4571

D-EN-RLT3000-TN240-20190903



## Float Switch RLT3000-TN240 with Integrated PT100

Level transmitter with analog output 4-20 mA and integrated PT100 with resistance output, made of stainless steel 1.4571

Level output analog 4-20 mA	
Supply voltage	12 – 32 V DC
Level output	4-20 mA (Two wire)
Accuracy	12 mm
Temperature: PT100	
Measuring element	PT100, DIN IEC 751
Technical data	
Length of tube L	Standard: up to 6000 mm, >6000 mm on request
Process connection	Standard: G1½", G2", Flange DN50 PN16, Other versions on request
Mounting position	Vertical, ±30°
Medium temperature	-30°C to +100°C
Medium density	≥750 kg/m³
Housing	Aluminum 75 x 80 x 57 mm Polycarbonate 80 x 82 x 55 mm
Protection class	IP 66
Max. pressure	4,0 MPa
Electrical connection	

### Ordering information

Type / output signal for temperature / measuring range temperature / process connection / sliding tube length L / 100%-mark (optional) / accuracy / resolution

D-EN-RLT3000-TN240-20190903