



Float Switch SV-32

Float switch in polypropylene with right-angle plug



- Easy to install
- Practical and inexpensive solution
- Maintenance-free
- Control element: reed contacts
- Electrical connection: coupler plug
- IP65 protection
- Temperature range: -30°C to 100°C
- Standardized and customer-specific designs

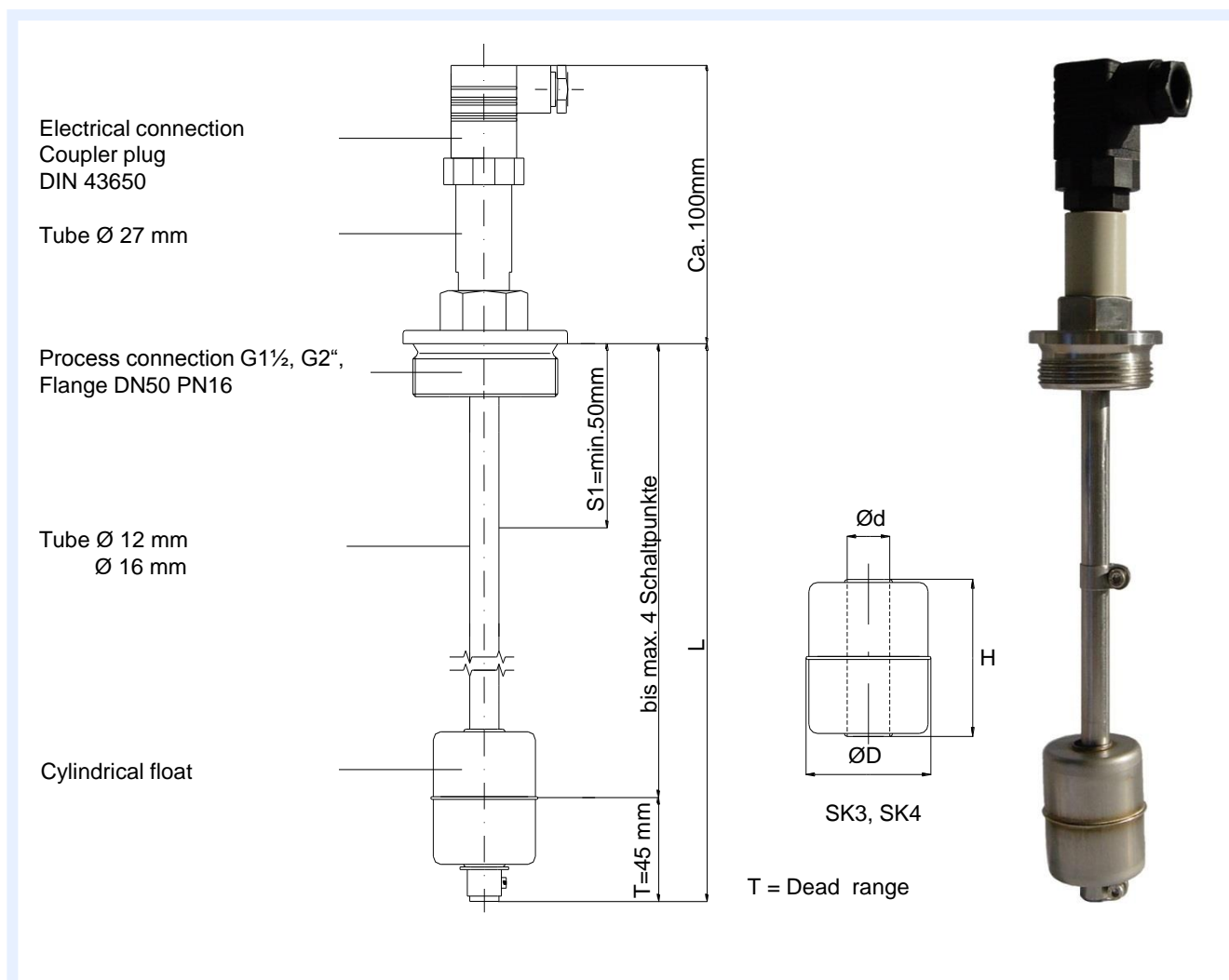


Schmidt Mess- und Regeltechnik

Float Switch SV-32

Float switch in polypropylene with right-angle plug

Dimensions



Float type	Dimensions (mm)			Max. operating pressure (MPa)	Max. operating temperature (°C)	Media density (kg/m ³)	Material
	$\varnothing D$	$\varnothing d$	H				
SK3 cylindrical float	44	14	45	0,3	80	≥ 600	PP
SK4 cylindrical float	55	18	55	0,3	80	≥ 600	PP



Float Switch SV-32

Float switch in polypropylene with right-angle plug

Application

Float switches are installed for reliable and accurate level monitoring and level indication of liquids.

Due to their robust and maintenance-free design they can be used for nearly all liquids such as water, aggressive media, e.g. acids and bases.

They may be used in :

- Process and manufacturing technology
- Water technology
- Machine building industry
- Chemistry
- Biochemistry
- Pharmaceutical industry
- Food industry
- Energy systems
- Power plants
- Petro-chemistry
- Petroleum gas
- Naval architecture
- etc.

Functional description

The magnetic field of a permanent inserted magnet into the float operates the tube built-in reed contacts. The functions of the reed contacts are: NO, NC or SPDT.

The actuation of the reed switch by the permanent magnet is entirely wear- and contact-free. The reed switch functions are: normally open contact, normally closed contact or changeover.

Technical data

Switching power	NC / NO: 230 V AC; 100 VA; 1 A AC 230 V DC; 50 W; 0,5 A DC
	SPDT: 230 V AC; 40 VA; 1 A AC 230 V DC; 20 W; 0,5 A DC
Switching function	NC / NO / SPDT with a rising liquid level
Switching points	Max. 4 switching points. >4 switching points on request
Electrical connection	Coupler plug DIN 43650, other types on request
Mounting position	Vertical, $\pm 30^\circ$
Medium density	$\geq 600 \text{ kg/m}^3$
Temperature	$-10^\circ\text{C} \dots +80^\circ\text{C}$
Type of protection	IP 65
Max. pressure	0,3 MPa
Tube length L	Standard: up to 1500 mm
Process connection	Standard: G1½", G2", other types on request
Material	PP, other materials on request, e.g. PVC, PVDF etc.



Float Switch SV-32

Float switch in polypropylene with right-angle plug

Product overview / order plan

SV-32

Electrical connection

- A Right-angle plug, DIN 43650
- X Other types on request

Process connections (mounting vertical, ± 30°)

- A Fixing screw thread G 1 1/2"
- B Fixing screw thread G 2"
- X Other types on request

Tube length L (see chart for dimensions), tube in PP

Tube length from sealing face of process connection
 Tube length L ≤ 500 mm: tube Ø 12 mm; L ≤ 1500 mm: tube Ø 16 mm
 Dimensions in mm

Float types

- A SK3 (cylindrical float Ø44)
- B SK4 (cylindrical float Ø52)
- X Other types on request

Switch point numbers

(see chart for dimensions)

Switching function (with a raising liquid level)

- O NC
- S NO
- U SPDT

Switching position

From sealing face of process connection in mm

SV-32					
-------	--	--	--	--	--

S1		
S2		

⋮