



Miniature Float Switch SMV-8

Float switch made of PP, PP foamed, with fixed length and one switching point



- Reed contact
- Competitive price
- Normally open / normally closed, by turning the float

D-EN-SMV-8-20190426



Miniature Float Switch SMV-8

Float switch made of PP, PP foamed, with fixed length and one switching point

Features

- Reed contact as switching element
- One switching point with fixed length, material PP
- Inexpensive
- Normally open / normally closed, by turning the float
- Vertical installation
- Electrical connection: 0.3 m flex wire
- Temperature range: -20 ° C to max. + 80 ° C
- Protection class: IP54

Function

A permanent magnet built into the float uses its magnetic field to operate the reed switch inside the tube. The operation of the reed switch by the permanent magnet is completely wear-free and contactless. Can be used as normally open by turning the float.

Application

Our miniature float switches are characterized by a compact, simple design, high reliability and a low price.

The switches can be used anywhere where liquid levels have to be monitored safely and signals have to be given to further processing facilities such as pumps and control devices.

| Technical data | |
|-----------------------|--|
| Switching elements | Reed contacts |
| Process connection | 1/8" |
| Tube | PP; length 56 mm, with NBR gasket and counter nut |
| Float | Foamed PP, Ø 19mm x 15mm |
| Temperature | -20°C...+80°C |
| Density of the medium | Min. 800 kg/m ³ |
| Mounting position | Vertical, ±30% |
| Protection | IP 54 |
| Electrical connection | 0.3 m flex wire |
| Switching function | NC / NO Normally closed, can be used as NO by turning the float. 1 switching point |
| Switching power | NC / NO 125 V AC/DC; 0.5 A; 10 W |

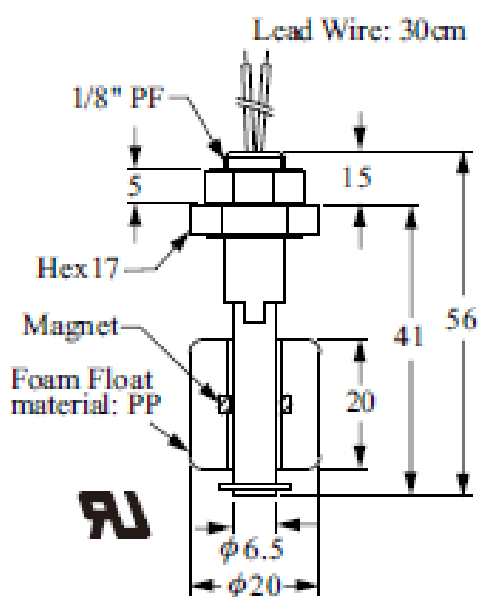
D-EN-SMV-8-20190426



Miniature Float Switch SMV-8

Float switch made of PP, PP foamed, with fixed length and one switching point

Technical drawing



Washer: NBR

Drill hole ϕ 10mm

Important instructions!

Technical changes and errors reserved.

Pictures can be similar.

The operating instructions belonging to this device must be observed! Download at www.schmidt-messtechnik.com.