



Miniature Float Switch SMV-6

Miniature float switch for vertical installation



D-EN-SMV-6-20190426

- Robust stainless steel version
- Switching function variable
- High temperature resistance



Miniature Float Switch SMV-6

Miniature float switch for vertical installation

Application

Our miniature float switches are characterized by a compact, simple design, high reliability and a low price.

The switches can be used anywhere where liquid levels have to be monitored safely and signals have to be given to further processing facilities such as pumps and control devices.

Function

Miniature float switches work according to the proven float principle. A permanent magnet located in the float actuates a reed contact when the liquid level rises. By turning the float by 180°, the NC or NO function can be realized by the customer.

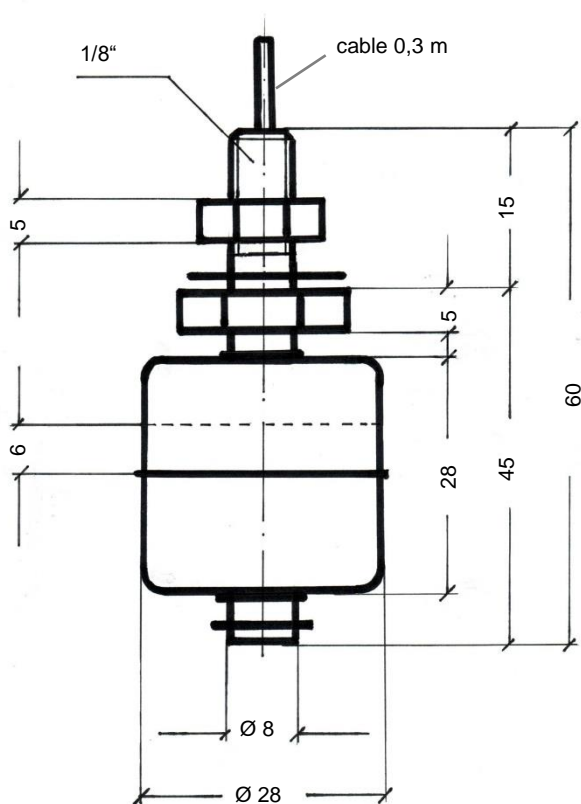
Technical data	
Material	Stainless steel AISI 316 Ti
Switching power	230 V, 0,5 A; 50 W
Switching function	Normally closed, / normally open
Operating pressure	Max. 10 bar
Temperature	-20°C...+120°C
Electrical connection	0.3 m cable
Contact	Reed contact
Density of the medium	0.8 kg/l min.



Miniature Float Switch SMV-6

Miniature float switch for vertical installation

Technical drawing



D-EN-SMV-6-20190426

Important instructions!

Technical changes and errors reserved.

Pictures can be similar.

The operating instructions belonging to this device must be observed! Download at www.schmidt-messtechnik.com.