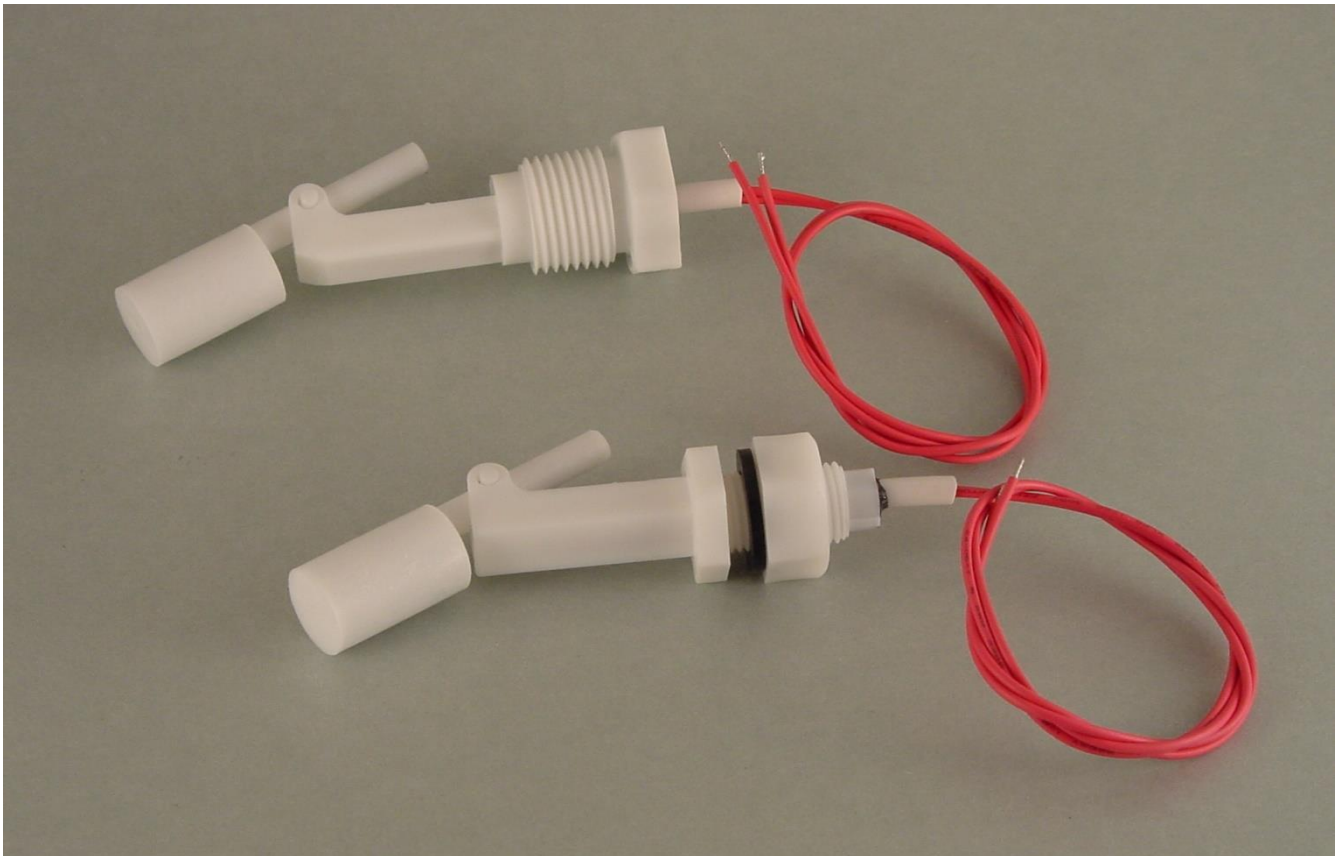




## Miniature Float Switch SMH-2

Miniature liquid level switch for side installation



D-EN-SMH-2-20190426

- Economical execution
- Switching function variable
- Compact design



## Miniature Float Switch SMH-2

Miniature liquid level switch for side installation

### Function

Miniature float switches work according to the proven float principle. A permanent magnet located in the float actuates a reed contact when the liquid level rises. By turning the float by 180 °, the NC or NO function can be realized by the customer.

### Application

Our miniature float switches are characterized by a compact, simple design, high reliability and a low price.

The switches can be used anywhere where liquid levels have to be monitored safely and signals have to be given to further processing facilities such as pumps and control devices.

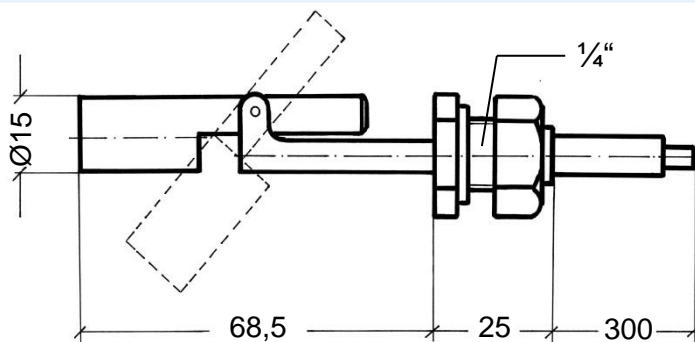
Technical data	
Material	PP
Switching power	240 V AC, 0.5 A, 50 W
Switching function	Normally open contact (NOC) or normally closed contact (NCC)
Operating pressure max.	2 bar
Temperature	-20°C...+80°C
Connecting cable	0.3 m
Contact	Reed contact
Density of the medium	0.8 kg/l min.



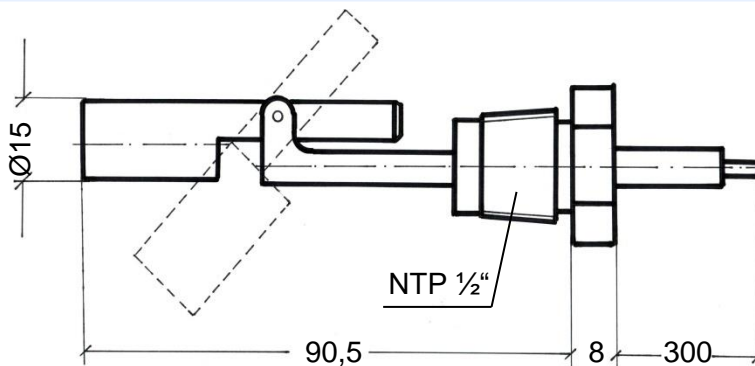
## Miniature Float Switch SMH-2

Miniature liquid level switch for side installation

### Dimensions



SMH-2-1



SMH-2-2

D-EN-SMH-2-20190426

#### Important instructions!

Technical changes and errors reserved.

Pictures can be similar.

The operating instructions belonging to this device must be observed! Download at [www.schmidt-messtechnik.com](http://www.schmidt-messtechnik.com).