



Miniature Float Switch SMH-1

Miniature liquid level switch for side installation



D-EN-SMH-1-20190426

- Short length
- Switching function variable
- Connection cable 2 m



Miniature Float Switch SMH-1

Miniature liquid level switch for side installation

Function

Miniature float switches work according to the proven float principle. A permanent magnet located in the float actuates a reed contact when the liquid level rises. By turning the float by 180 °, the NC or NO function can be realized by the customer.

Application

Our miniature float switches are characterized by a compact, simple design, high reliability and a low price.

The switches can be used anywhere where liquid levels have to be monitored safely and signals have to be given to further processing facilities such as pumps and control devices.

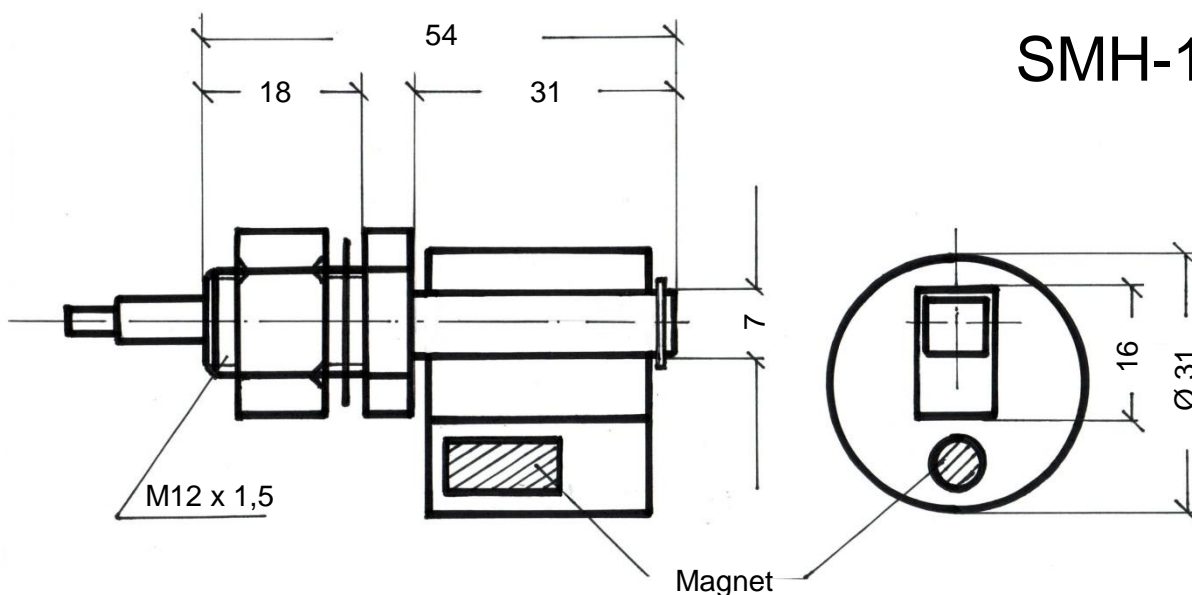
| Technical data | |
|-------------------------|--|
| Material | PP |
| Switching power | 240 V AC, 0.5 A, 50 W |
| Switching function | Normally open contact (NOC) or normally closed contact (NCC) |
| Operating pressure max. | Barometric pressure |
| Temperature | -20°C...+80°C |
| Connecting cable | 2 m |
| Contact | Reed contact |
| Density of the medium | 0.76 kg/l min. |



Miniature Float Switch SMH-1

Miniature liquid level switch for side installation

Dimensions



D-EN-SMH-1-20190426

Important instructions!

Technical changes and errors reserved.

Pictures can be similar.

The operating instructions belonging to this device must be observed! Download at www.schmidt-messtechnik.com.