



Float Switch SH-20

Float Switch in stainless steel 1.4571 / angular design



- Simple to install
- Practical and inexpensive solution
- Maintenance free
- Control element: reed contacts
- Electrical connection: cable connecting
- IP66 protection
- Temperature range: -30°C up to 150°C
- Special designs on request

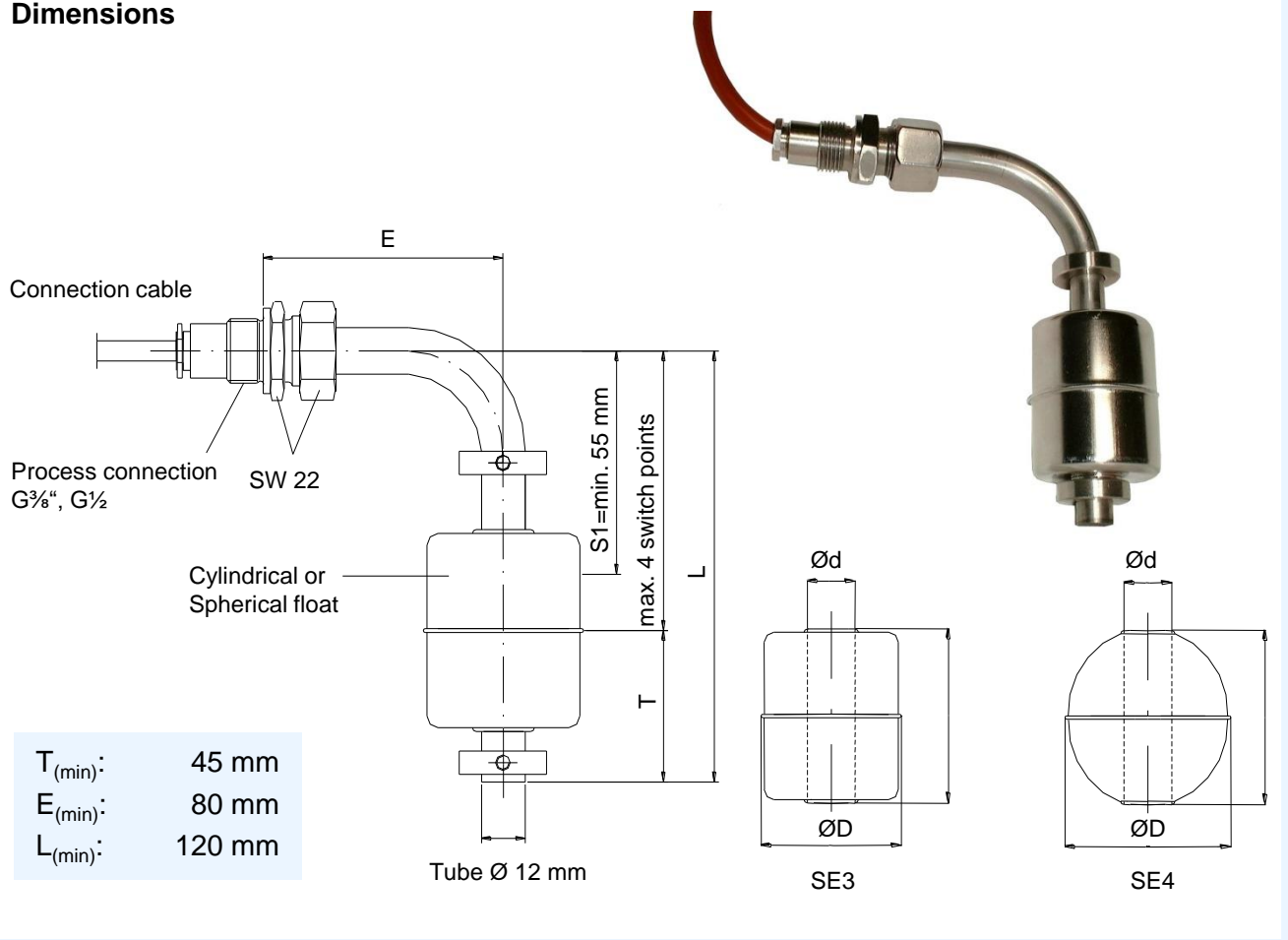


Schmidt Mess- und Regeltechnik

Float Switch SH-20

Float Switch in stainless steel 1.4571 / angular design

Dimensions



Float type	Dimenions (mm)			max. Operating pressure (MPa)	max. operating temperature (°C)	Medium density (kg/m ³)	Material
	\varnothing D	\varnothing d	H				
SE3 Cylindrical float	44	15	52	1,6	150	≥ 750	1.4571
SE4 Spherical float	52	15	52	4,0	150	≥ 750	1.4571



Float Switch SH-20

Float Switch in stainless steel 1.4571 / angular design

Applications

Float switches are used for reliable and accurate level control and level monitoring of liquids.

Due to their robust and maintenance free design float switches may be used for almost all liquids. They are frequently used in these industries:

- Plant construction
- Off-Shore
- Machine construction
- Energy systems
- Chemistry
- Power stations
- Biochemistry
- Ship building
- Petro chemistry
- Food industry
- Natural gas industry
- Pharmaceutical industry

Functional description

The magnetic field of a permanent magnet built into the float operates the reed contacts installed in the tube. The functions of the reed contacts are: closer, opener or change-over switch.

Technical Data

Max. power	Opener / Closer: 230 V AC; 100 VA; 1 A AC 230 V DC; 50 W; 0,5 A DC
	Change-over switch: 230 V AC; 40 VA; 1 A AC 230 V DC; 20 W; 0,5 A DC
Switch function	Opener / Closer / Change over switch with a rising liquid level
Number of switch points	Max. 4 switch points > 4 switch points on request
Installation position	Float vertical, $\pm 30^\circ$
Medium density	$\geq 750 \text{ kg/m}^3$
Temperature	-30°C to +150°C
Protection	IP 54
Max. pressure	4.0 MPa
Tube length L	Standard: up to 1000 mm
Process connection	Standard: G $\frac{3}{8}$ ", G $\frac{1}{2}$ ", Other types on request



Float Switch SH-20

Float Switch in stainless steel 1.4571 / angular design

Product overview / order table

SH-20

Process connections (Installation vertical, ±30°)

- A Fixing screw thread G 3/8", 1.4571
- B Fixing screw thread G 1/2", 1.4571
- X Other types on request

Tube length L (see dimensioned diagram), Tube in 1.4571
Dimensions in mm

Length E (see dimensioned diagram), Tube in 1.4571
Dimensions in mm

Float types

- Z SE3 (cylindrical float Ø44, in 1.4571)
- K SE4 (spherical float Ø52 in 1.4571)
- X Other types on request

Temperature range

- N -30°C to +80°C
- H -30°C to 150°C

Switch point number

(see dimensioned diagram)

Cable length

Dimension in m

Switch function

- With a rising liquid level
- O Opener
- S Closer
- U Change-over switch

Switch position

Switch position from sealing face of process connection in mm



Attention: Designs without earthing connection – use low voltage only or external protective earth.