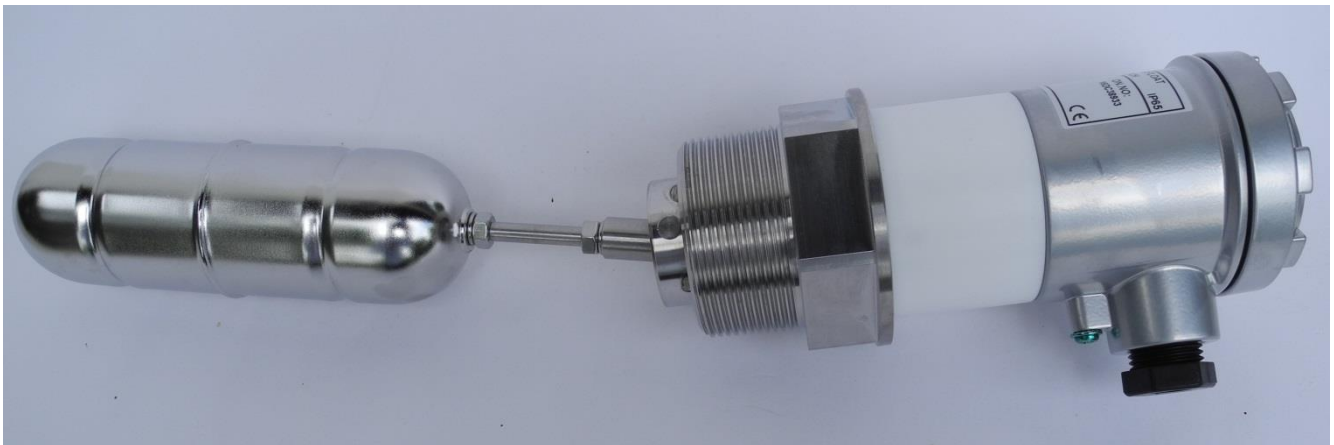




## Float Switch for Industrial Applications SH 20.1

Float switch (level switch) for lateral installation



- Robust industrial design
- Stainless steel float switch
- Variable float design
- Variable boom version
- High-temperature float switch
- Compressive strength 30 bar
- Flange or threaded connection

D-EN-SH20-1-20190424



## Float Switch for Industrial Applications SH 20.1

Float switch (level switch) for lateral installation

### Application

The float switch SH 20.1 is used as a deficiency or overflow protection in tanks and containers. The switching element is a reed contact. The devices can be adjusted to different installation conditions by changing the operating linkage.

A large selection of floats allows the monitoring of media of different densities.

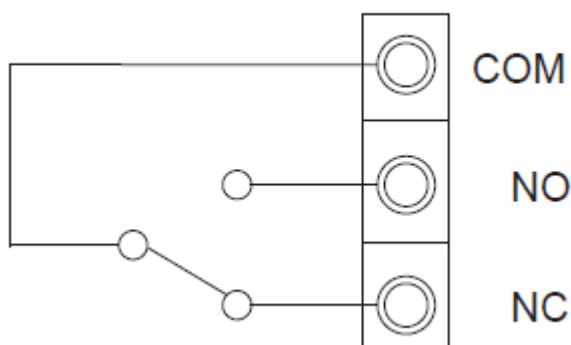
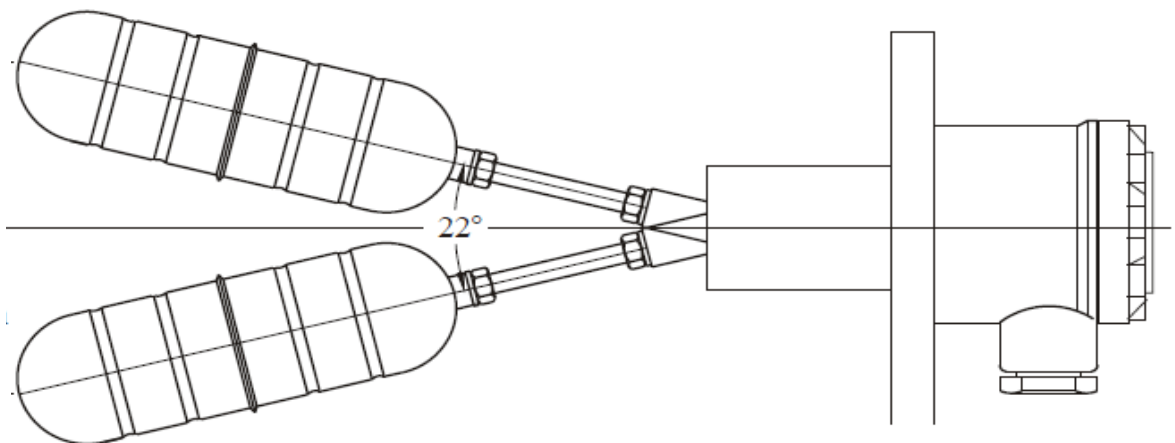
### Measuring principle

The float switch SH 20.1 is inserted horizontally.

A float is raised or lowered by the changed level and actuates a reed contact via a linkage by means of a permanent magnet.

### Technical data

<b>Contact</b>	Reed contact
<b>Switching power</b>	1A, 30W, 220 VAC 1A, 30W, 200 VDC
<b>Medium density</b>	min. 0,55 kg/L
<b>Material</b> • Float / linkage • Housing	316 Ti / 316 Ti Aluminum
<b>Medium temperature</b>	-40°C – +200°C
<b>P max.</b>	30 bar
<b>Protection</b>	IP65

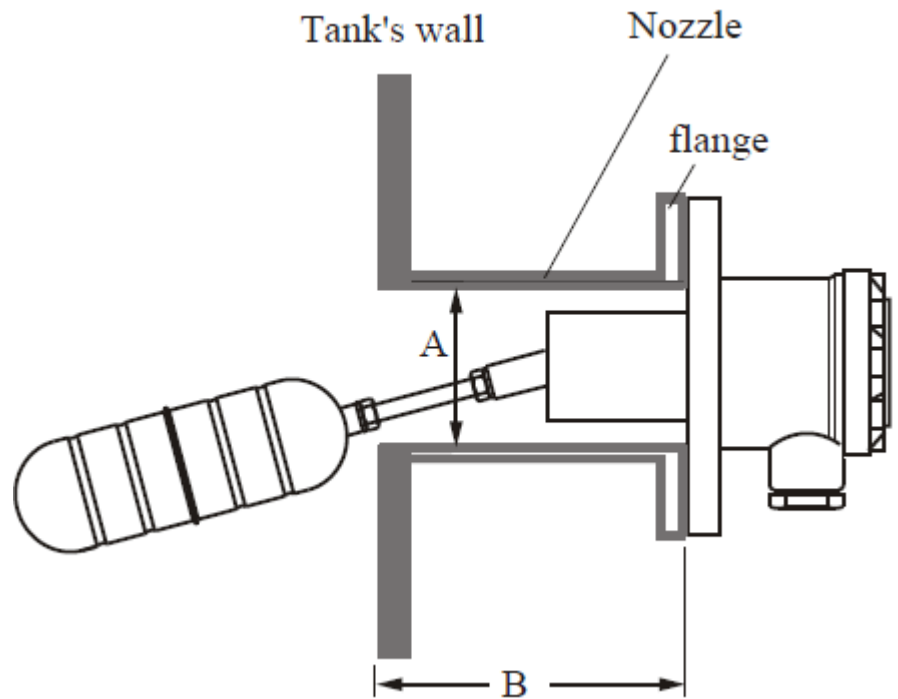


REED kontakt ----1A, 30W 220 VAC/200 VDC



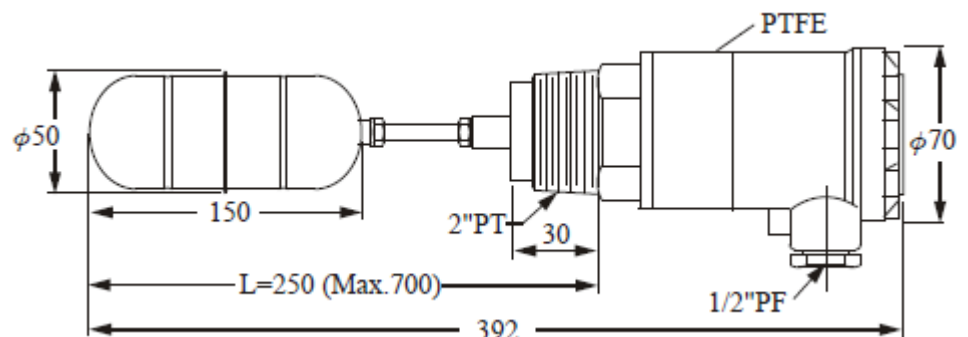
## Float Switch for Industrial Applications SH 20.1

Float switch (level switch) for lateral installation



Length of the connecting piece depending on its diameter					
Pipe diameter A (mm)	45 – 50	50 – 55	55 - 60	60 – 65	65 - 70
Length B max. (mm)	130	140	150	160	170

### Dimensions



### Important instructions!

Technical changes and errors reserved.

Pictures can be similar.

The operating instructions belonging to this device must be observed! Download at [www.schmidt-messtechnik.com](http://www.schmidt-messtechnik.com).

D-EN-SH20-1-20190424