



## Level Sensor M06

Level sensor for monitoring of liquids  
made of plastic, with cable connection



D-EN-M06-20190607

- High reliability
- Robust design
- Designs up to 1.5m in length
- High chemical resistance



## Level Sensor M06

Level sensor for monitoring of liquids  
made of plastic, with cable connection

### Features

- Output signal: 4-20 mA or resistance in a 3-wire potentiometer circuit
- Temperature range: -30 °C to +150 °C
- Easy measuring principle: Reed-chain technology
- Accuracy: 12 mm
- Mounting position: vertically
- Electrical connection: housing, cable or plug
- Protection: IP 66

### Measuring principle

A permanent magnet built into the float triggers, with its magnetic field, the resistance measuring chain built into the guide tube. The entire assembly corresponds to a 3-wire potentiometer circuit. The measured resistance signal is proportional to the level.

Signal transmission can be provided by external transducers and limit switches, or by a 4-20 mA two-wire transmitter, which can be integrated into the transmitter housing.

### Applications

Due to their high reliability and robust mechanical design, the encoders are ideally suited for industrial use. They work safely and reliably even under harsh operating conditions and can i.a. used in the following industries:

- plant construction
- biochemistry
- chemistry
- turbines
- natural gas
- power plants
- food industry
- mechanical engineering
- offshore
- petro chemistry
- shipbuilding
- pharmacy etc.

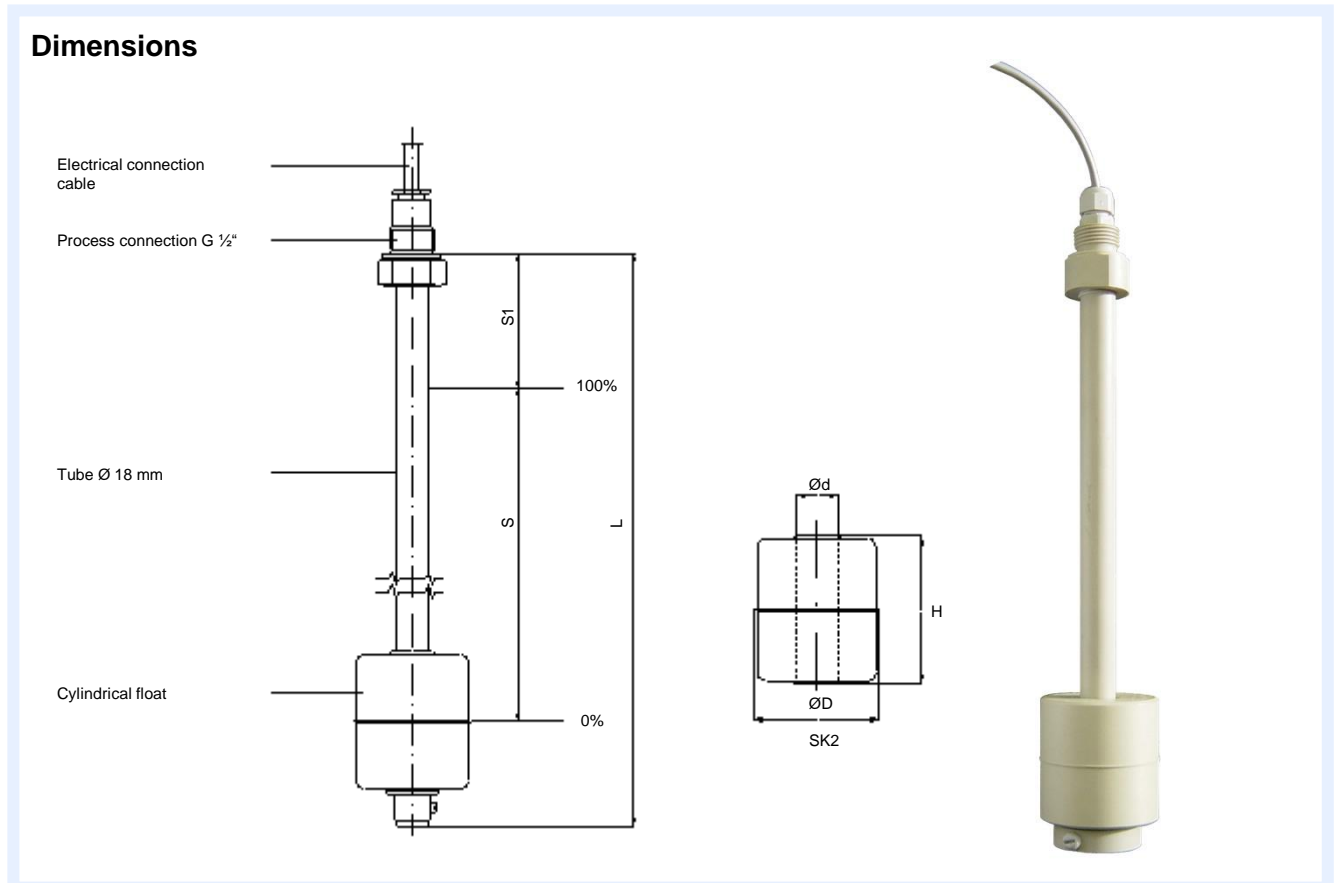
### Technical data

<b>Output</b>	Level-proportional resistance signal
<b>Operating pressure max.</b>	0.3 MPa
<b>Temperature</b>	-10°C to +80°C
<b>Cable outlet</b>	PVC cable outlet
<b>Medium density</b>	≥ 500 kg/m <sup>3</sup>
<b>Protection</b>	IP54
<b>Accuracy</b>	12 mm
<b>Tube length L</b>	Standard: to 1500 mm, >1500 mm on request
<b>Process connection</b>	Standard: G ½", other versions on request
<b>Material</b>	PP Other materials such as e.g. PVDF: on request



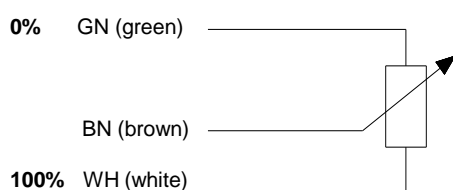
## Level Sensor M06

Level sensor for monitoring of liquids  
made of plastic, with cable connection



Float type	Dimensions (mm)			Operating pressure max. (MPa)	Operating temperature max. (°C)	Medium density (kg/m <sup>3</sup> )	Material
	Ø D	Ø d	H				
SK2 Cylindrical float	55	18,5	55	0.3	80	≥ 500	PP

### Electrical connection



D-EN-M06-20190607



## Level Sensor M06

Level sensor for monitoring of liquids  
made of plastic, with cable connection

### Ordering information

**M 06**

**Process connection** (Mounting position: vertical,  $\pm 30^\circ$ )  
A Mounting screw thread G  $1/2"$ , material PP  
X other versions on request

**Tube length L** (see „Dimensions“)  
Tube material PP,  $\varnothing 16$  mm  
Tube length from sealing surface process connection  
Tube length  $L \leq 1500$  mm;  $L > 1500$  mm on request  
Indication in mm

**Float type**  
A SK2 (PP float,  $\varnothing 55$  mm)  
X other versions on request

**Cable length**  
Indication in m



Distance sealing face to 100 % mark  
( $X \geq$  dead band T in mm [in] (from sealing edge))

D-EN-M06-20190607

### Important instructions!

Technical changes and errors reserved.

Pictures can be similar.

The operating instructions belonging to this device must be observed! Download at [www.schmidt-messtechnik.com](http://www.schmidt-messtechnik.com).