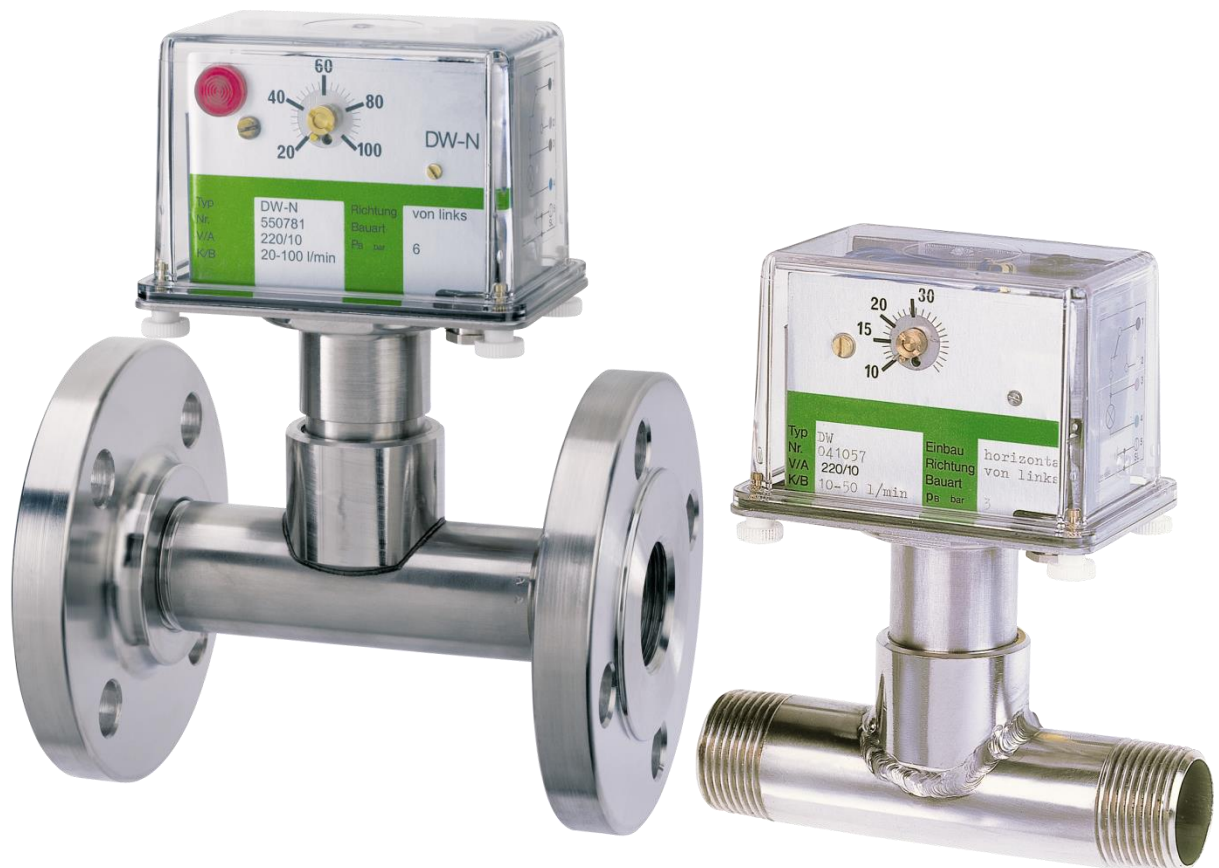




## Flow Monitor DW-N

Flow monitor according to the baffle plate principle for liquids



- Simple switching point adjustment according to small scale
- Forced motion transmission to the microswitch
- Hermetic separation of the medium from the microswitch by means of bellows
- Insensitive to pollution and magnetic fields
- High electrical load capacity
- Greatest operational safety and service friendliness
- Available for all flow directions and mounting positions
- Also available in Ex version
- Two-switch version is available



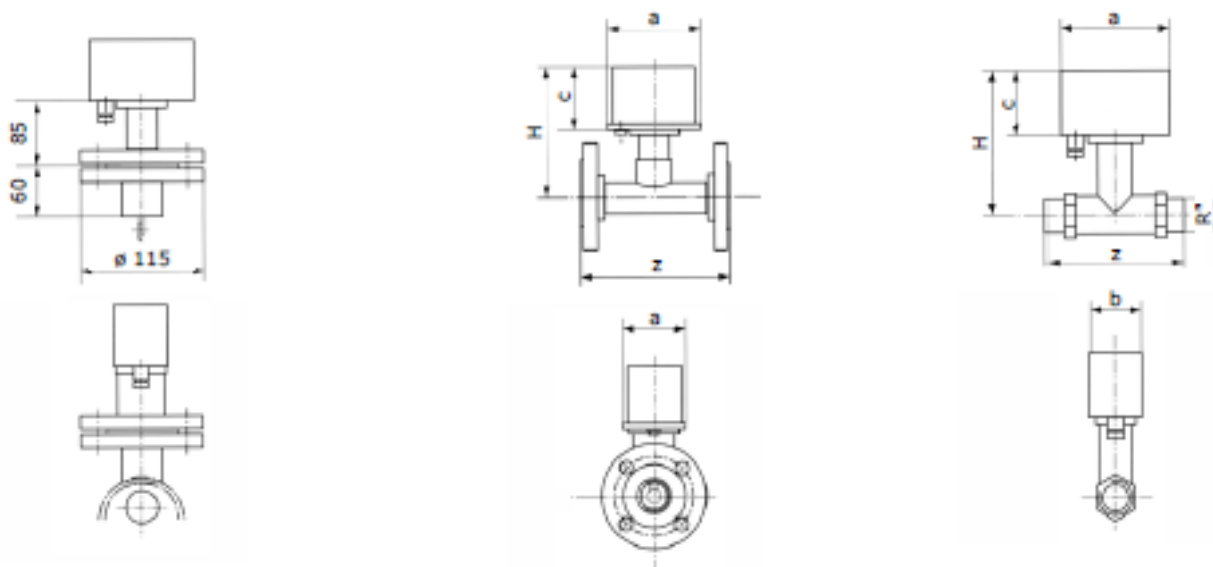
## Flow Monitor DW-N

Flow monitor according to the baffle plate principle for liquids

### Description

Flow monitor with adjustable switching point and optical switching indication by means of glow lamp. The DW-N is based on the extremely reliable mechanical pendulum principle. The devices are very robust and reliable. Both dirty media and magnetic fields are no problem. Since no magnets are used, iron-containing media do not cause any damage.

### Connection options



Mounting flange (AU-FL)

Flange (FL)

Thread

|                                    |                                |               |               |         |                |                |         |
|------------------------------------|--------------------------------|---------------|---------------|---------|----------------|----------------|---------|
| DN (mm)                            | 10                             | 15            | 20            | 25      | 32             | 40             | 50      |
| Connection thread R"               | $\frac{3}{8}$                  | $\frac{1}{2}$ | $\frac{3}{4}$ | 1       | $1\frac{1}{4}$ | $1\frac{1}{2}$ | 2       |
| Overall length Z without flanges   | 135 + 1                        | 135 + 1       | 135 + 1       | 135 + 1 | 170 + 2        | 170 + 2        | 170 + 2 |
| Overall length Z with side flanges | 155 + 2                        | 155 + 2       | 155 + 2       | 155 + 2 | 190 + 2        | 190 + 2        | 190 + 2 |
| Overall height H                   | 145 + 1                        | 145 + 1       | 145 + 1       | 145 + 1 | 150 + 2        | 155 + 2        | 160 + 2 |
| Metering unit                      | a x b x c = 100 x 70 x 70 (mm) |               |               |         |                |                |         |



## Flow Monitor DW-N

Flow monitor according to the baffle plate principle for liquids

| Switching range for water, at 20°C |                  |                       |                   |                       |                   |            |     |
|------------------------------------|------------------|-----------------------|-------------------|-----------------------|-------------------|------------|-----|
| Connection exterior male thread R  | Nominal width DN | min. H <sub>2</sub> O |                   | max. H <sub>2</sub> O |                   | Flow ratio |     |
|                                    |                  | l/min                 | m <sup>3</sup> /h | l/m                   | m <sup>3</sup> /h | Non-EX     | EX  |
| 3/8"                               | 10               | 1                     |                   | 25                    |                   | 1:5        | 1:4 |
| 1/2"                               | 15               | 1                     |                   | 55                    |                   | 1:5        | 1:4 |
| 3/4"                               | 20               | 5                     |                   | 100                   |                   | 1:5        | 1:4 |
| 1"                                 | 25               | 6                     | 0,36-             | 150                   | 9                 | 1:5        | 1:4 |
| 1 1/4"                             | 32               | 10                    | 0,6               | 250                   | 15                | 1:5        | 1:4 |
| 1 1/2"                             | 40               | 20                    | 1,2               | 400                   | 24                | 1:5        | 1:4 |
| 2"                                 | 50               | 50                    | 3,0               | 600                   | 36                | 1:5        | 1:4 |
| 2 1/2"                             | 65               | 80                    | 4,8               | 1.000                 | 60                | 1:4        | 1:4 |
| 3"                                 | 80               | 120                   | 7,2               | 1.500                 | 90                | 1:4        | 1:4 |
| 4"                                 | 100              | 200                   | 12,0              | 2.400                 | 144               | 1:4        | 1:4 |
| 5"                                 | 125              | 300                   | 18,0              | 4.000                 | 225               | 1:4        | 1:4 |
| 6"                                 | 150              | 400                   | 24,0              | 5.500                 | 330               | 1:4        | 1:4 |
| 8"                                 | 200              | 700                   | 42,0              | 10.000                | 600               | 1:4        | 1:4 |
| 10"                                | 250              | 1.200                 | 72,0              | 15.000                | 900               | 1:4        | 1:4 |
| 12"                                | 300              | 1.700                 | 102,0             | 20.000                | 1.200             | 1:4        | 1:4 |
| 14"                                | 350              | 2.500                 | 150,0             | 30.000                | 1.800             | 1:4        | 1:4 |
| 16"                                | 400              | 3.000                 | 180,0             | 40.000                | 2.400             | 1:4        | 1:4 |
| 20"                                | 500              | 5.000                 | 300,0             | 60.000                | 3.600             | 1:4        | 1:4 |
| 24"                                | 600              | 7.000                 | 420,0             | 75.000                | 4.500             | 1:4        | 1:4 |

D-EN-DW-N-20190213



## Flow Monitor DW-N

Flow monitor according to the baffle plate principle for liquids

| Material                         |                                  |                                  |                                     |
|----------------------------------|----------------------------------|----------------------------------|-------------------------------------|
| T-fitting                        | Pendulum system                  | Bellow                           | Max. permissible operating pressure |
| brass<br>W.Nr.: 2.0380.10        | brass<br>W.Nr.: 2.0380.10        | stainless steel<br>W.Nr.: 1.4571 | 16 bar                              |
| stainless steel<br>W.Nr.: 1.4571 | stainless steel<br>W.Nr.: 1.4305 | stainless steel<br>W.Nr.: 1.4571 | 16 bar                              |
| PVC                              | stainless steel<br>W.Nr.: 1.4305 | stainless steel<br>W.Nr.: 1.4571 | 16 bar                              |

| Technical data                 |  |
|--------------------------------|--|
| Flow ratio                     | 1 : 5 max.<br>(for types DW-N-AU-FL and all EX-versions 1 : 4 max.)  |
| Measuring / switching accuracy | <ul style="list-style-type: none"> <li>• up to 20 l/min <math>\pm 5\%</math> (from the final value)</li> <li>• 21-200 l/min <math>\pm 4\%</math> (from the final value)</li> <li>• 201 and more l/min <math>\pm 3\%</math> (from the final value)</li> </ul> (based on the calibration and medium at 20 °C.) |
| Pressure loss                  | 0,1-0,3 bar  |
| Switching hysteresis           | up to 2 bar 10%<br>additionally pressure-dependent (values on request)   |
| Operating temperature          | Max. 100°C (higher temperatures on request)  |
| Ambient temperature            | Max. 70°C  |
| Electrical switching capacity  | 250 V / 10 A   |
| Protection                     | IP 55 (IP 65 on request)   |
| Glow lamp                      | 250 V / 2 mA<br>(other values on request)  |
| Available in Ex version (ATEX) | Ex, IIGD, EEx c, IIB T 4, IP 65, T 110°<br>-20° ≤ Ta ≤ 70° respectively<br>Ex, 2G, EEx c, IIB T 4<br>Ex, 3D, IP 65, T 125°<br>-20° ≤ Ta ≤ 70°  |

D-EN-DW-N-20190213