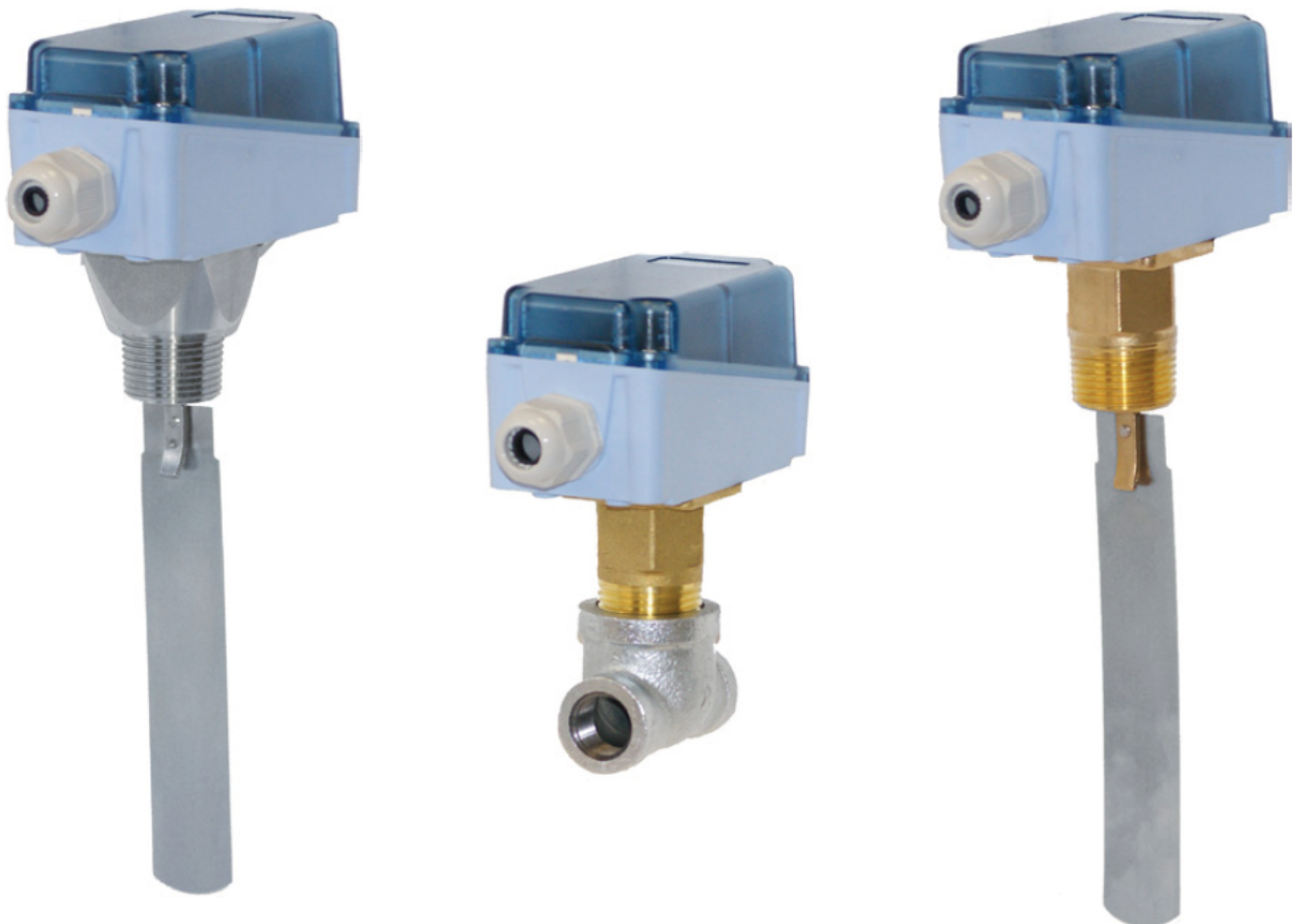




## Flow Monitor DPP 06

Paddle switches for liquids



D-EN-DPP06-20181022

- Low sensitivity to dirt
- High switch rating
- Suitable for open ducts



## Flow Monitor DPP 06

### Paddle switches for liquids

#### Features

- Universal orientation
- Low sensitivity to dirt
- High switching capacity
- Easy installation
- Low pressure drop

#### Application

- Cooling systems and cooling circuits
- Heating plants and air conditioners
- Protection against dry running
- Research and development

#### Operating Data

Operating pressure max.	11 bar (brass version) 30 bar (stainless steel version)
Media temperature	-40 °C – 120 °C
Ambient temperature	-40 °C – 85 °C

#### Materials

	Brass version	Stainless steel version
<b>Wetted parts</b>		
• Paddle	Stainless steel AISI 316L	Stainless steel AISI 316L
• Device body	Brass	Stainless steel AISI 316L
<b>Non-wetted parts</b>		
• Housing	ABS-lower part (VO) with polycarbonate cover	ABS-lower part (VO) with polycarbonate cover

#### Measuring ranges

Types with T-fitting	Connection	Switch-off value	Switch-on value
	G	l/h	l/h
DPP06-15	1/2"	174 – 846	480 – 948
DPP06-20	3/4"	138 – 768	408 - 858

D-EN-DPP06-20181022



## Flow Monitor DPP 06

Paddle switches for liquids

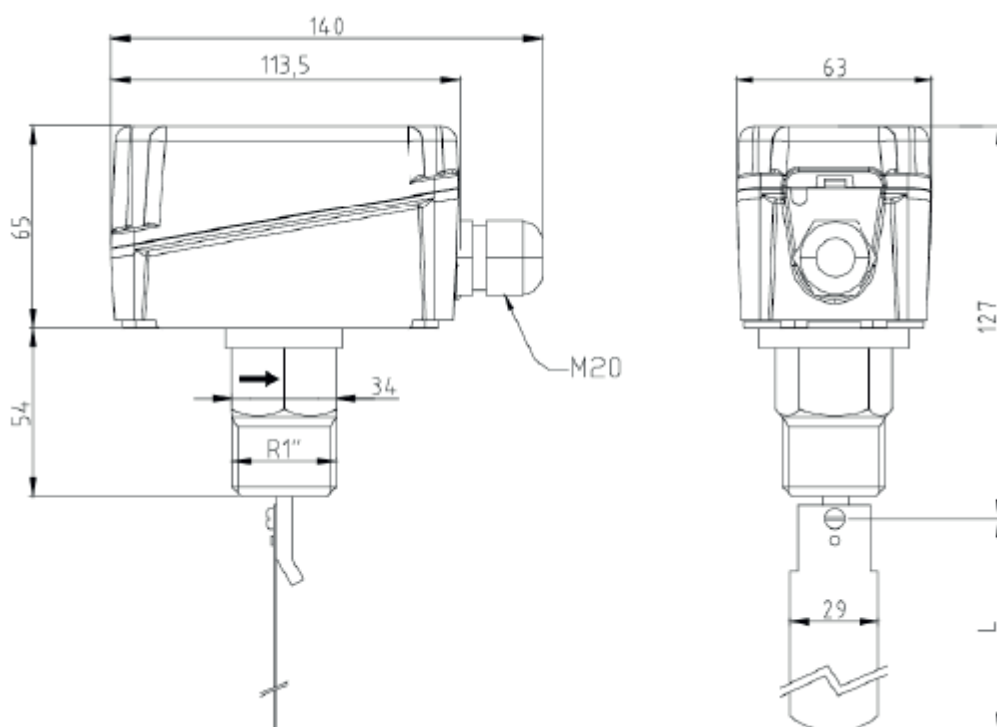
Types					DPP06-25 DPP06-25 VA		DPP06-25R DPP06-25R VA	
DN	Fitted paddle				Switch-off value m <sup>3</sup> /h	Switch-on value m <sup>3</sup> /h	Switch-off value m <sup>3</sup> /h	Switch-on value m <sup>3</sup> /h
25	1				0,6 - 2	1 - 2,1	0,2 - 1	0,6 - 1,1
32	1				0,8 - 2,8	1,3 - 3	0,25 - 1,4	0,9 - 1,6
40	1				1,1 - 3,7	1,7 - 4	0,5 - 1,6	1,2 - 2,2
50	1	2			2,2 - 5,7	3,1 - 6,1	0,9 - 3,6	2,3 - 4,1
65	1	2			2,7 - 6,5	4 - 7	1,2 - 4,9	3,1 - 5,5
80	1	2	3		4,3 - 10,7	6,2 - 11,4	2,1 - 7,4	4,9 - 8,2
100	1	2	3		11,4 - 27,7	14,7 - 29	4,9 - 17,1	11,3 - 19,1
100	1	2	3	4	6,1 - 17,3	8 - 18,4	3,3 - 11,6	7,7 - 13
125	1	2	3		22,9 - 53,3	28,4 - 55,6	9,7 - 34	22,4 - 37,9
125	1	2	3	4	9,3 - 25,2	12,9 - 26,8	5 - 17,5	11,5 - 19,6
150	1	2	3		35,9 - 81,7	43,1 - 85,1	13,6 - 47,6	31,5 - 53,2
150	1	2	3	4	12,3 - 30,6	16,8 - 32,7	6,1 - 21,4	14,1 - 23,9
200	1	2	3		72,6 - 165,7	85,1 - 172,5	25,7 - 90,1	59,6 - 100,7
200	1	2	3	4	38,6 - 90,8	46,5 - 94,2	21,7 - 55,3	36,5 - 61,8



# Flow Monitor DPP 06

Paddle switches for liquids

## Technical Drawing



D-EN-DPP06-20181022



## Flow Monitor DPP 06

Paddle switches for liquids

Summary of Types				
Type	Overall dimensions [mm]		Material	Weight Approx. [g]
	Pipe size G	P <sub>max</sub> bar		
DPP06-15	1/2"	11	Brass	950
DPP06-20	3/4"	11	Brass	950
DPP06-25	1" – 8"	11	Brass	950
DPP06-25 VA	1" – 8"	30	Stainless steel <sup>1</sup>	950
DPP06-25R	1" – 8"	11	Brass <sup>1</sup>	950
DPP06-25R VA	1" – 8"	30	Stainless steel <sup>1</sup>	950

Paddle lengths Paddle material			
Paddle	length L		Material
1	Standard (from DN 50): <sup>2</sup>	28,5	Stainless steel <sup>1</sup>
2	Standard:	54,5	Stainless steel <sup>1</sup>
3	Standard:	83,5	Stainless steel <sup>1</sup>
4	Standard (from DN 175):	161,5	Stainless steel <sup>1</sup>
	Special length for DN 100: <sup>3</sup>	92	Stainless steel <sup>1</sup>
	Special length for DN 125: <sup>3</sup>	117	Stainless steel <sup>1</sup>
	Special length for DN 150: <sup>3</sup>	143	Stainless steel <sup>1</sup>

(1) Stainless steel AISI 316L

(2) For DN 25 the paddle must be cut to size.

(3) By shortening the standard paddle, the user can obtain the special lengths.

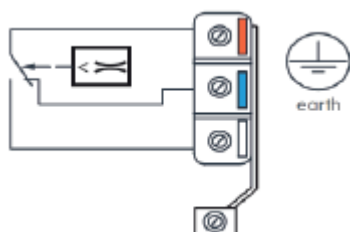


## Flow Monitor DPP 06

Paddle switches for liquids

Electrical Data	
Dust-tight micro switch	
Switch values	15(8)A · 24 - 250 V AC

### Connection diagram



#### Color code

Common	red
N.C. (Normally closed)	blue
N.O. (Normally open)	white

For switch values refer to table on page 3.

The devices are factory adjusted to minimum switch values.

By turning the spanscrew clockwise the switch values can be increased (refer to operating instructions).

### Electrical Connection

- Terminal for cable connection

### Ingress Protection

- IP65

#### Important instructions!

Technical changes and errors reserved.

Pictures can be similar.

The operating instructions belonging to this device must be observed! Download at [www.schmidt-messtechnik.com](http://www.schmidt-messtechnik.com).