



Inline Magnetic Flowmeter SDI

Magnetic flowmeter / magneto-inductive flowmeter





- Analogue output and PNP switching output
- Pulse output
- Programmable
- Accuracy 2%

D-EN-SDI-20190416



Inline Magnetic Flowmeter SDI

Magnetic flowmeter / magneto-inductive flowmeter

Technical data				
Type	SDI 852/1 GAPP	SDI 853/1 GAPP	SDI 852/2 GAPP	SDI 853/2 GAPP
ID-No.	P11320	P11322	P11321	P11323
Pulse output ⁽¹⁾	-	●	-	●
Working range [l/min]	0...40		0,2...80	
Measurement error	0...5.0 l/min ≤0.1 l/min 5...40 l/min ≤2% of measurement value*		0...10,0 l/min ≤0.2 l/min 10.1...80 l/min ≤2% of measurement value*	
Outer diameter [mm]	10		15	
Pipe connection	Tube fittings for steel tubes according to DIN 2391 / ISO 3304			
Output	 PNP NC / NO, programmable		 4...20 mA, linear	
Switching current [mA]	200 (20 °C)			
Load R _L [Ω]	200...500			
Supply voltage [V]	24 DC ±10%			
Current consumption [mA]	100			
Ambient temperature [°C]	0...+60			
Medium temperature [°C]	5...+60			
Medium conductivity [μS/cm]	≥10 (water: ≥15)		≥20 (water: ≥30)	
Reaction time [s]	0.5...8			
Programmable functions	Switching point, hysteresis, switching output, time on/off delay, analog range, impulse, averaging, access code			
Compressive strength [bar]	10			
Material	Housing: PBT Sensor: PVDF / AISI 316 Ti			

*Reference conditions according to EN 29104

(1) Impulses can be set to 1, 5, 10 and 50 ml/pulse.

D-EN-SDI-20190416

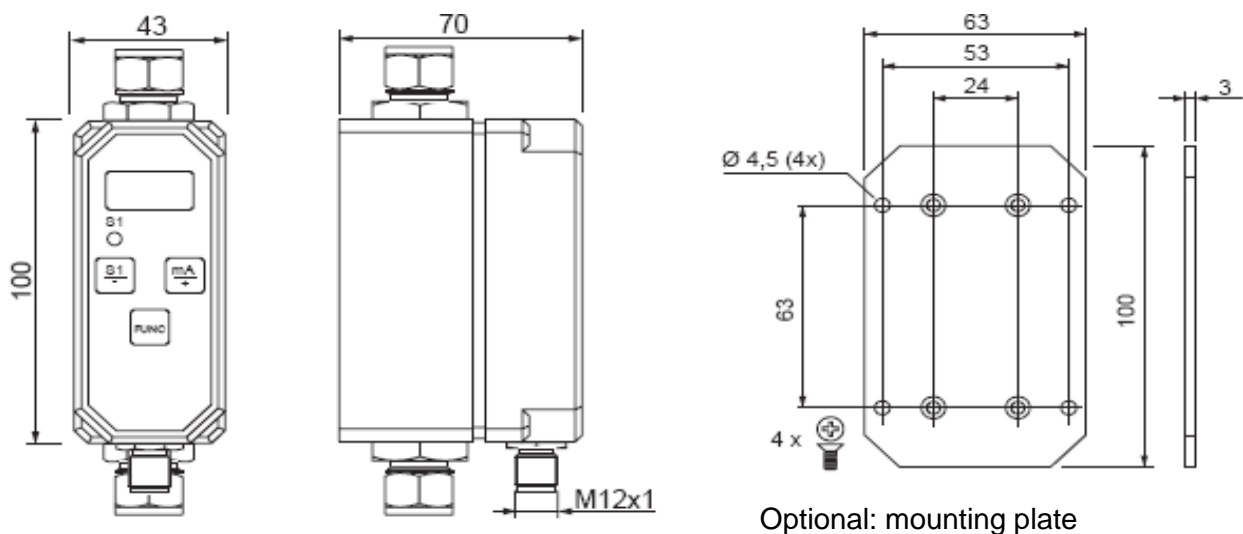


Inline Magnetic Flowmeter SDI

Magnetic flowmeter / magneto-inductive flowmeter

Technical data				
Type	SDI 852/1 GAPP	SDI 853/1 GAPP	SDI 852/2 GAPP	SDI 853/2 GAPP
ID-No.	P11320	P11322	P11321	P11323
Protection [EN 60529]	IP 65			
Connection	M12 connector			
Accessories	Mounting plate Connection cable SLG, SLW Adapter G¼			

Dimensions



D-EN-SDI-20190416