



## Inline Compact Flow Sensor Micropuls SDN 504 D

Flow monitor according to the thermodynamic principle for micro amount liquids



D-EN-SDN504D-20200318

- Dropper
- Adjustable hold time
- Short response time
- Integrated electronics
- Compressive strength 20 bar



## Inline Compact Flow Sensor Micropuls SDN 504 D

Flow monitor according to the thermodynamic principle for micro amount liquids


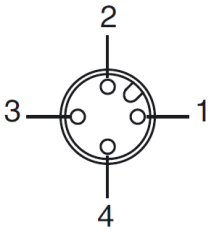
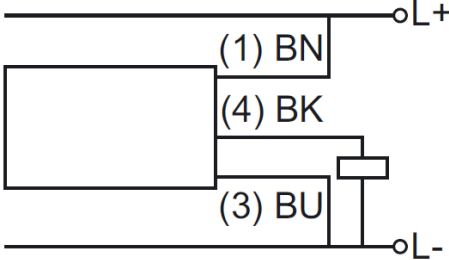
Technical data	
<b>Design</b>	<b>G<sup>1</sup>/<sub>4</sub> Pulse detection</b>
Dimensions	
Detection range [ml/min]	from 0,02 ml/100 ms
Area of operation [ml/min]	from 0,04 ml/100 ms
Inner diameter d [mm]	4
Flow rate max. [l/h]	300
Electrical output	 PNP
Type	SDN 504 GSP-DYN
<b>Order-No.:</b>	<b>P11256</b>
Switching current [mA]	200
Switching voltage [V]	-
Load R <sub>L</sub> [Ω]	-
Operating voltage [V]	24 DC ±10%
Current consumption [mA]	<50

D-EN-SDN504D-20200318



## Inline Compact Flow Sensor Micropuls SDN 504 D

Flow monitor according to the thermodynamic principle for micro amount liquids

Technical data	
<b>Design</b>	<b>G<sup>1</sup>/<sub>4</sub> Pulse detection</b>
Ambient temperature [°C]	0...+60
Medium temperature [°C]	-20...+80
Temperature gradient [K/min]	-
Standby time [s]	5...15
Response time typ. [s]	<0,1
Compression strength [bar]	20
Flow indication	LED
Material	housing: PBT, Sensor: stainless steel 1.4571 (A4)
Protection class [EN 60529]	IP 67
Connection	M12 connector system
 	 <p>The SDN 504D responds to increasing flow speeds. The holding time is adjustable between 0.5... 10 s.</p>

Accessories	
Connection cable Type SLG	see accessories / connecting cable
Connection cable Type SLW	see accessories / connecting cable
Connection cable Type SBG	see accessories / connecting cable
Connection cable Type SBW	see accessories / connecting cable

D-EN-SDN504D-20200318