



Microwave Meter MFM

Level sensor according to the guided microwave (TDR) principle for liquids

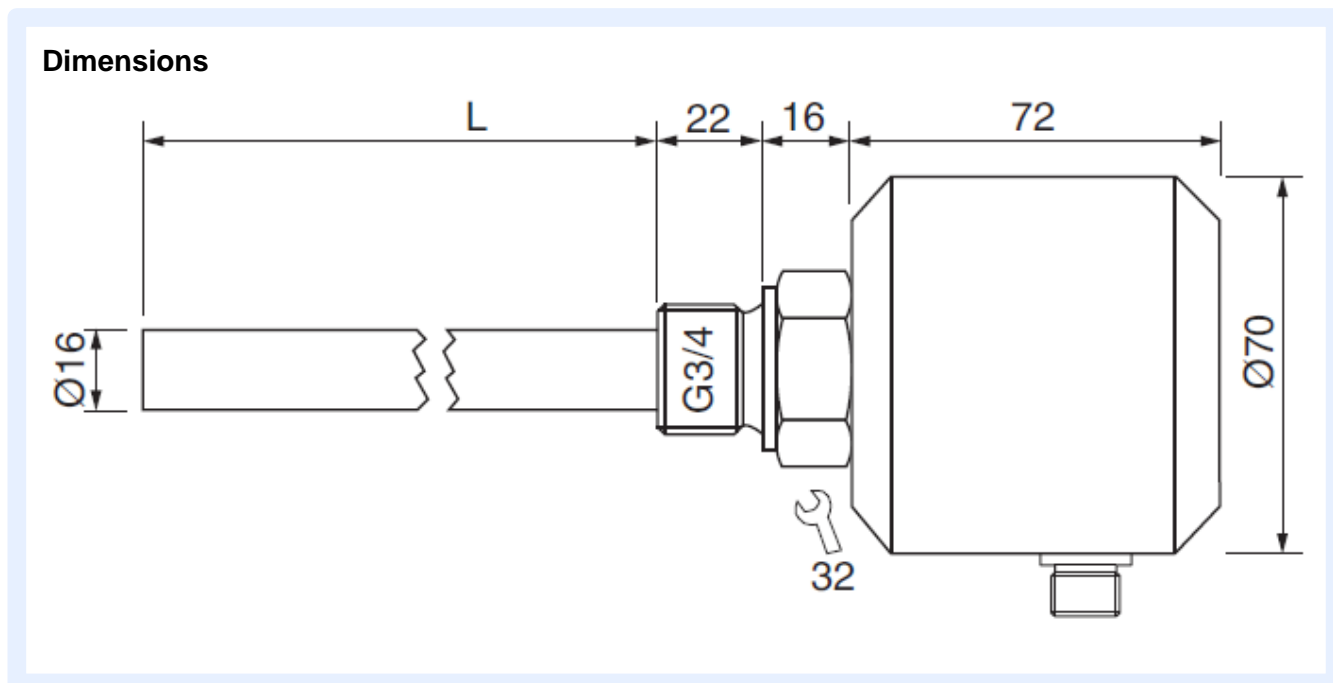


- High accuracy ± 3 mm
- Liquids from oil to water
- Guided microwave



Microwave Meter MFM

Level sensor according to the guided microwave (TDR) principle for liquids




Sensor lengths	
The total length L of the sensor is specified by appending „Lxxx“ to the type. xxx: Length in cm	
Preferred lengths	Order-No.
500 mm: L050	P21197050
1100 mm: L110	P21197110

Accessories: Connecting cable SLG 3...
Connecting cable SLW 3...



Microwave Meter MFM

Level sensor according to the guided microwave (TDR) principle for liquids

Technical data	
Design	DC Analog, G 3/4
Output	 4 – 20 mA, linear
Order-No.:	P21197...
Type-sensor length L	MFM 075 GA-Lxxx
Supply voltage [V]	20...27 DC
Current consumption [mA]	<100
Current output [mA]	4...20
Load resistance R_L [Ω]	200...500
Reverse polarity protection	•
Precision [mm]	± 3
Inactive range [mm]	above: 20, below: 30
Ambient temperature [$^{\circ}\text{C}$]	-20...+70
Medium temperature [$^{\circ}\text{C}$]	-20...+80
Response sensitivity [$\mathcal{E}\gamma$]	>1,8
Protection type [EN 60529]	IP67

Housing material	Aluminium
Material	AISI 316 Ti
Sealing material	NBR, different material on request
Compressive strength (25 $^{\circ}\text{C}$) [bar]	6
Connection	M12 - Plug-in system 