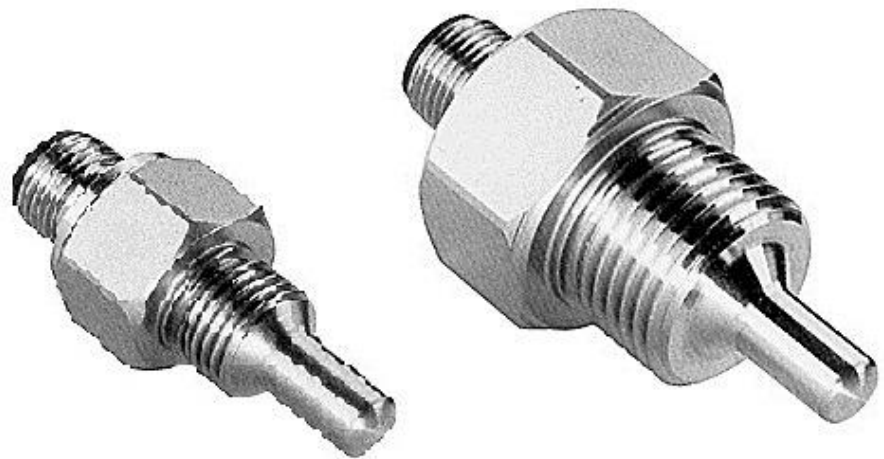




## Flow Sensor STK

Flow monitor according to the thermodynamic principle for liquids



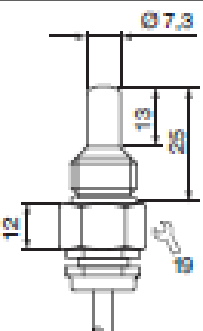
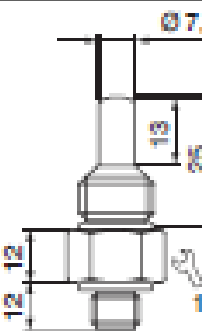
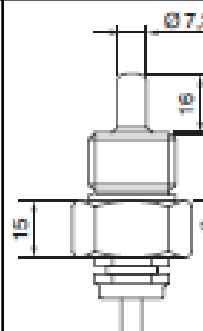
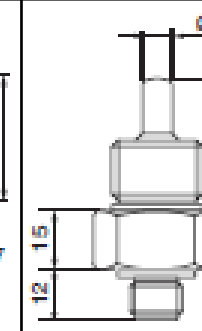
- Short design
- Stainless steel case
- G $\frac{1}{4}$  ", G $\frac{1}{2}$  "
- Pressure up to 100 bar

D-EN-STK-20190401



## Flow Sensor STK

Flow monitor according to the thermodynamic principle for liquids

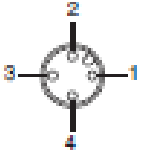
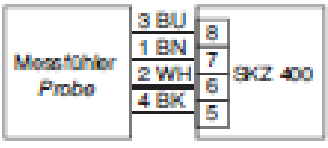
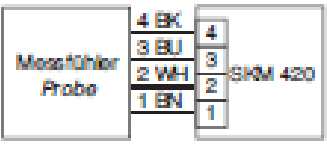
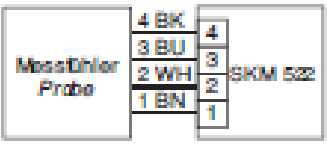
Technical Data				
Design	G <sup>1/4</sup>	G <sup>1/4</sup>	G <sup>1/2</sup>	G <sup>1/2</sup>
Dimensions				
Detection range [cm/s] Water Oil	1...150 3...300	1...150 3...300	1...160 3...300	1...160 3...300
Sensor length [mm]	25	25	32	31
Type	<b>STK 412 K-A4</b>	<b>STK 412 S-A4</b>	<b>STK 421 K-A4</b>	<b>STK 421 S-A4</b>
ID-No.	P10402	P10404	P10408	P10410
Medium temperature [°C]	-20...+80			
Temperature gradient [K/min]	250			
Start-up time typ. [s]	8 (2...15)			
Reaction time typ. [s]	2 (1...13)			
Compressive strength [bar]	100			
Sensor material	ASI 316 TI, different materials on request			
Protection [EN 60529]	PI 68	IP 67	IP 68	IP 67

D-EN-STK-20190401



## Flow Sensor STK

Flow monitor according to the thermodynamic principle for liquids

Technical Data				
Type	STK 412 K-A4	STK 412 S-A4	STK 421 K-A4	STK 421 S-A4
Connection	2 m PVC-cable 4x0.25 mm <sup>2</sup>	M12 connector	2 m PVC-cable 4x0.25 mm <sup>2</sup>	M12 connector
 <p>1: BN 2: WH 3: BU 4: BK</p>	 <p>MessDhler Probe</p> <p>3 BU 8 1 BN 7 2 WH 6 4 BK 5</p> <p>SKZ 400</p>	 <p>MessDhler Probe</p> <p>4 BK 4 3 BU 3 2 WH 2 1 BN 1</p> <p>SKM 420</p>	 <p>MessDhler Probe</p> <p>4 BK 4 3 BU 3 2 WH 2 1 BN 1</p> <p>SKM 522</p>	

Accessories
Amplifier SKM
Amplifier SKZ
connecting cable type SLG 4-2
connecting cable SLW 4-2

### Important instructions!

Technical changes and errors reserved.

Pictures can be similar.

The operating instructions belonging to this device must be observed! Download at [www.schmidt-messtechnik.com](http://www.schmidt-messtechnik.com).