



Flow Sensor STA

Flow monitor according to the thermodynamic principle for liquids



- Suitable for chemically aggressive liquids
- Hastelloy B2 / C22
- Metal-ceramic coating
- G½ thread
- Long lifetime
- Abrasion-resistant
- High pressure stability

D-EN-STA-20190401



Flow Sensor STA

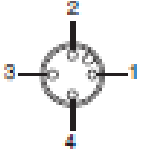
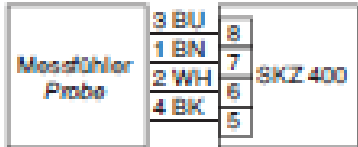
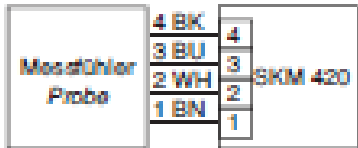
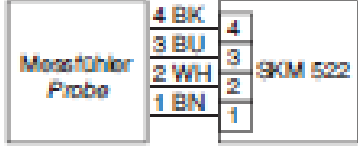
Flow monitor according to the thermodynamic principle for liquids

Technical Data				
Design	G $\frac{1}{2}$...HB2	G $\frac{1}{2}$...HC22	G $\frac{1}{2}$...K-B3	G $\frac{1}{2}$...S-B3
Dimensions				
Detection range [cm/s] Water Oil	1...150 3...300	1...150 3...300	1...150 3...300	1...150 3...300
Sensor length [mm]	31	31	34	34
Type	STA 421 K-HB2	STA 421 K-HC22	STA 421 K-B3	STA 421 S-B3
ID-No.	P10625	P11159	P10623	P10622
Medium temperature [°C]	-20...+80 (+10...+120 on request)			
Temperature gradient [K/min]	250			
Reaction time typ. [s]	1...15			
Compressive strength [bar]	100			
Sensor material	Hastelloy B-2	Hastelloy C-22	Titanium / metal ceramic	
Protection [EN 60529]	PI 68			IP 67
Connection	2 m FEP-cable 4x0.25 mm ²			M12 connector



Flow Sensor STA

Flow monitor according to the thermodynamic principle for liquids

Technical Data				
Type	STA 421 K-HB2	STA 421 K-HC22	STA 421 K-B3	STA 421 S-B3
 <p>1: BN 2: WH 3: BU 4: BK</p>				<p>These sensors are made of titanium and are coated with a metal-ceramic material layer. Coated sensors display chemical resistance practically comparable to chemical characteristics of PTFE or Hastelloy. Unlike PTFE sensors, coated sensors display the same temperature behaviour as stainless steel sensors, with high temperature gradients.</p> <p>The high surface hardness of the coating protects the sensor against abrasion, thus considerably increasing its durability. The perfectly smooth surface virtually eliminates deposits.</p>

Accessories
Amplifier SKM
Amplifier SKZ
connecting cable type SLG 4-2
connecting cable SLW 4-2

Important instructions!

Technical changes and errors reserved.

Pictures can be similar.

The operating instructions belonging to this device must be observed! Download at www.schmidt-messtechnik.com.