



Operation Manual

Differential Pressure Switch 908

With adjustable setting, for liquids



- Typical application: filter monitoring
- Pressure ranges: 40 – 200 mbar
150 – 1000 mbar
- Inexpensive version

B-EN-908-20220125



Operation Manual Differential Pressure Switch 908

With adjustable setting, for liquids



SAFETY & LIABILITY

Read instructions before use. This regulating and control unit must be installed in accordance with the applicable regulations. The existing safety regulations, the intended use and the technical data must be strictly observed. According to these regulations, plants must be zero-potential and secured against inadvertently restart. The product cannot be used for U.S. FDA-controlled application areas. For damage caused by improper use no liability is assumed.



ELECTRICAL CONNECTION

WARNING! Electrical equipment may only be installed, added to, changed or maintained by authorized electricians. Never work on electrical installations, if you are not a professional! No voltage must be applied if you work on electrical installations. The electrical connection must be compliance in accordance with the Low Voltage Directive.

DISPOSAL

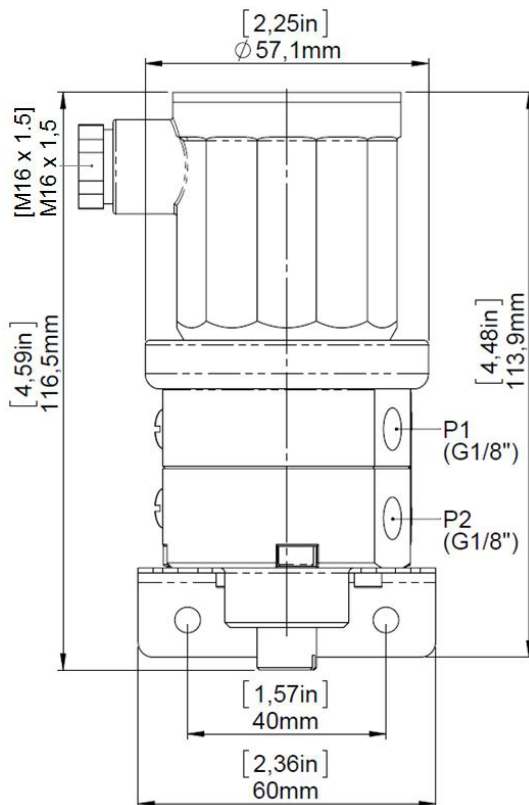
Most of our products may contain valuable materials that should be recycled and not disposed of as domestic waste. Please observe the applicable relevant regulations and laws.



Operation Manual Differential Pressure Switch 908

With adjustable setting, for liquids

INSTALLATION / DIMENSIONS



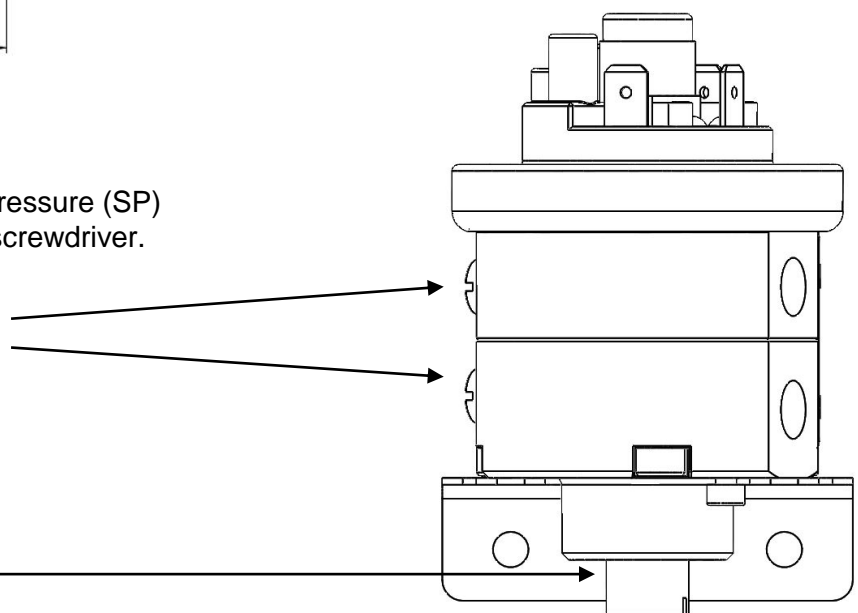
Danger:

Check the pressure switch for damages. Do not use if damaged! Do not mount the pressure switch on uneven surfaces!

The desired switching pressure (SP) can be adjusted with a screwdriver.

Vent screws

Adjustment screw





Operation Manual Differential Pressure Switch 908

With adjustable setting, for liquids

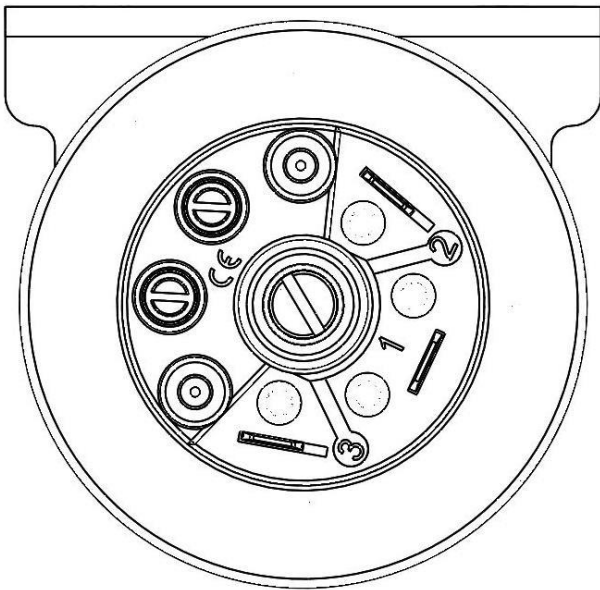
ELECTRICAL CONNECTION



Danger:

Electrical equipment may only be installed, added to, changed or maintained by authorized electricians. No voltage must be applied if you work on electrical installations

Pressure switch



Connection diagram



- 1 – (COM) Power supply line
- 2 – (NO) Operating contact
- 3 – (NC) Break contact

B-EN-908-20220125

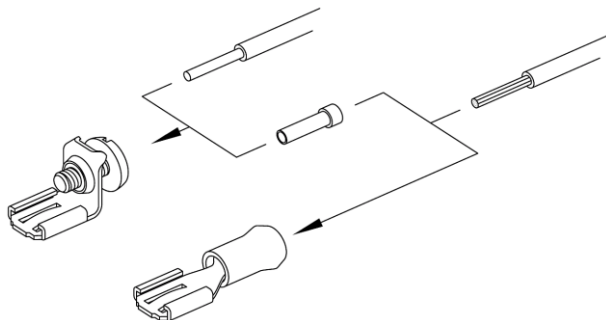


Operation Manual Differential Pressure Switch 908

With adjustable setting, for liquids

ELECTRICAL CONNECTION

Connection type



Connection via tab terminal

The connections are intended for tab terminals
6.3 x 0.8 mm



Connection via connector

For cables: \varnothing 6 – 8 mm



Operation Manual Differential Pressure Switch 908

With adjustable setting, for liquids

TECHNICAL DATA	
Medium	Liquid, gaseous and aggressive media
Class of control and regulation function	A
Protection class	IP54 IP65
Pressure range	908.32 40 ... 200 mbar 908.34 150 ... 1000 mbar
Max. operating pressure	10 bar
Burst pressure	20 bar
Accuracy of the switching pressure	Repeatability: $\pm 10\%$
Temperature range	Ambient temperature: $-10^{\circ}\text{C} \dots +80^{\circ}\text{C}$ Temperature of media: $-10^{\circ}\text{C} \dots +80^{\circ}\text{C}$ Storage temperature: $-40^{\circ}\text{C} \dots +80^{\circ}\text{C}$
Connecting thread	G 1/8 made of brass (CuZn40)
Electrical connection	Tab terminal 6.3 x 0.8 mm in accordance with DIN 46244 or connector in accordance with EN 175301-803
Electrical rating	Standard version: max. 6 (1,5) A / 250 VAC max. 10 A (2) A / 250 VAC Low-voltage version: max. 100 mA / 24 VAC max. 30 mA / 24 VDC
Arrangement of contacts	1 – (COM) Power supply line 2 – (NO) Operating contact 3 – (NC) Break contact

B-EN-908-20220125



Operation Manual

Differential Pressure Switch 908

With adjustable setting, for liquids

Order matrix		908.3	X	X	X	X	X	X	X
Pressure ranges	40 ... 200 mbar	2							
	150 ... 1000 mbar	4							
Accuracy	Standard		1						
Overpressure range	10 bar			1					
Diaphragm material	NBR				1				
	EPDM				2				
	Silicone				3				
	FKM / FPM				4				
Pressure connection	G 1/8" Inner thread, Brass					M			
Switch contacts	Low voltage	Gold-plated					1		
	6A / 250VAC	AgNi					4		
	10A / 250VAC	AgNi					5		
Protection cap	Without protection cap							0	
	Protection cap IP54 with cable conduit M16							1	
	Protection cap IP65 with cable conduit M16							2	
	Protection cap IP54 with connector, Shape A, to EN 175301-803, with cable							3	
	Protection cap IP65 with connector, Shape A, to EN 175301-803, with cable							4	
	Protection cap IP54 with connector, Shape A, to EN 175301-803, without cable							5	
Protection cap IP65 with connector, Shape A, to EN 175301-803, without cable							6		
Mounting bracket	Without mounting bracket								0
	L-shaped	With mounting bracket							1

Accessories	Article-No
Protection cap IP54 with cable conduit M16	6371
Protection cap IP65 with cable conduit M16	6372
Protection cap IP54 with connector, Shape A, to EN 175301-803, with cable	6380
Protection cap IP65 with connector, Shape A, to EN 175301-803, with cable	6379
Protection cap IP54 with connector, Shape A, to EN 175301-803, without cable	6374
Protection cap IP65 with connector, Shape A, to EN 175301-803, without cable	6375
Mounting bracket L-shaped	6603



Operation Manual Differential Pressure Switch 908

With adjustable setting, for liquids

Important notes!

Technical changes and errors excepted.

These operating instructions are an integral part of the device and must be kept accessible to the personnel in the immediate vicinity of the device at all times. Persons who install, operate or service this device must read and understand these operating instructions carefully before starting any work. All safety instructions and instructions in this manual must be adhered to. In addition, the local accident prevention regulations and general safety regulations for the area of application of the device as well as all national and international legal regulations and technical standards apply.

All illustrations in this operating manual serve the basic understanding. Photos can be examples of a variant. The illustrations may differ from the actual design of the units. No claims can be deduced from any deviations.

The device has been designed and constructed exclusively for the intended use described here.

Persons installing, operating or maintaining this device must be technically qualified personnel and must comply with the applicable accident prevention regulations.

limitations of liability

All information and instructions in this operating manual have been compiled taking into account the applicable standards and regulations, the state of the art as well as our many years of knowledge and experience. Schmidt Mess- und Regeltechnik accepts no liability for damage due to

- Failure to observe this manual
- Improper use of the device
- Working by untrained personnel with this device
- Unauthorized modifications or technical modifications not approved by the manufacturer
- Use of unauthorized spare parts